

*Year of construction 2002*

*Spare parts catalogue*

*Recogedor - Cargador*

*Precision Chop Loaderwagon*

## **RAPIDE 205 - 240**

*Casimiro - España*



# **Schuitemaker**



**Schuitemaker Machines BV**  
**Correa Postal 219**

**7460 AE Rijssen - Olanda**

**Teléfono: 0031 548 514125**

**Telocopiador: 0031 548 516840**

**E-mail: [service@schuitemaker-machines.nl](mailto:service@schuitemaker-machines.nl)**

**Website: [www.schuitemaker-machines.nl](http://www.schuitemaker-machines.nl)**



## Contents

Guidelines for ordering spare parts .....	2
1. Single-sided Wide-angle coupling with cam-type coupling .....	3
1.1. Cam-Type coupling .....	3
2. Rotor intake with drive .....	5
3. Floor chain with double drive .....	7
4. Towbar .....	9
5. Rotor Gearbox .....	11
6. Floor driving gear .....	13
7. Pick-up Suspension with drive (6-Rows) .....	15
8. Pick-up (6-Rows) Spring suspension gear .....	17
9. Double runner wheel .....	19
10. 6-Rows Pick-up .....	21
11. Chopping device .....	23
12. Feed roller .....	25
13. Hydraulic parking support .....	27
14. Tandemframe Spring assemblie .....	29
15. Gigant spring assemblies .....	31
16. Track following wheel axle .....	33
17. Wheel axles Coleart ((Typ EUR 1110) Brake 406×120) .....	35
18. Track following Axles Colaert (Typ EUR 1110 Brake 400×80) .....	37
19. Front board .....	39
20. Tailgate .....	41
21. Hydraulic/Elektrical operation .....	43
22. Steel construction as windcover .....	45
23. Guide board on windcover .....	47
24. Gear box WG-1000 13>28 .....	49
25. Electrical circuit diagram 972.0004 .....	50
26. Hydraulic system .....	51



## **GUIDELINES FOR ORDERING SPARE PARTS**

If you follow the rules stated below when ordering spare parts, you will be assured of a fast and correct delivery.

1. State the model, year of construction and serial number of your Rapide.
2. State both the full number of the part (if known) and the description.
3. State how the part needs to be despatched.
4. When ordering wheel axle parts, it is also advisable to state the wheel axle type. This can be found on the type plate of the wheel axle.

The numbers of the parts of the SCHUITEMAKER-wagons can be found in the first column below the heading *SR-no*. These can be ordered from:

SCHUITEMAKER Machines B.V. Rijssen – The Netherlands  
Postbus 219 – 7460 AE Rijssen – The Netherlands  
Tel: 0031 548 – 514125  
Fax: 0031 548 516840  
Spare Parts Dept.  
Ext.41

## 1. SINGLE-SIDED WIDE-ANGLE COUPLING WITH CAM-TYPE COUPLING

### 1. ENKELZIJDIGE GROOTHOEK-KOPPELINGSAS MET NOKKENKOPPELING

<i>Fig.</i>	<i>SR-no.</i>	<i>Omschrijving</i>	<i>Description</i>
1	354.0177	Koppelingsas WWE 2580 1600 Nm cpl.	Coupling shaft WWE 2580 1600 Nm cpl.
4	455.0153	Buitenbeschermbuis compleet met kap	Outside protection tube complete with cover
5	455.0152	Binnenbeschermbuis compleet met kap	Inner protection tube complete with cover
11	455.0080	Groothoek-opsteekgaffel	Wide-angle set-up fork
12	455.0046	Drukstift Set (Agra 101)	Locking pin set (Agra 101)
16	455.0125	Nokkenschakelkoppeling 1600 Nm	Cam-type coupling 1600 Nm
21	455.0090	Groothoek-kruisstuk (incl. 7 en 8)	Wide-angle cross-piece (incl. 7 und 8)
22	342.0105	Smeernippel M8×1	Grease nipple M8×1
24	455.0081	Dubbel-gaffel	Double fork
25	342.0105	Smeernippel M8×1	Grease nipple M8×1
26	455.0082	Profielgaffel	Profiled fork
27	312.0130	Spanstift DIN 1481-10×80	Clamping pin DIN 1481-10×80
28	455.0093	Sterbuis (binnen) S4GA	Profiled tube (inside) S4GA
29	455.0094	Sterbuis (buiten) S5	Profiled tube (outside) S5
30	455.0085	Profielgaffel	Profiled fork
31	455.0089	Kruisstuk	Cross-piece complete
51	455.0164	Beschermtrechter	Safety cover
53	455.0162	Glijring	Sliding ring
54	455.0154	Beschermkap met schroef (incl. 15)	Protective cover with screw (incl. 15)
55	455.0155	Glijring	Sliding ring
56	455.0088	Steunring	Supporting ring
57	455.0154	Beschermtrechter	Safety cover
59	450.0035	Borgketting	Locking chain

### 1.1. CAM-TYPE COUPLING

#### 1.1. NOKKENSCHAKELKOPPELING

<i>Fig.</i>	<i>SR-no.</i>	<i>Omschrijving</i>	<i>Description</i>
16	455.0125	Nokkenschakelkoppeling 1600 Nm	Cam-type coupling 1600 Nm
41	455.0086	Koppelingshuis (rechtsdraaiend)	Coupling housing (clockwise)
42	455.0078	Schakelnok 1600 Nm	Switch cam 1600 Nm
43	455.0065	Blokkeernok	Locking cam
44	455.0063	Naaf	Hub
45	455.0064	Glijbus	Sliding sleeve
46	455.0061	Dichtring	Sealing ring
47	313.0214	Binnenborgring	Locking ring, inside
48	455.0062	Steunring	Supporting ring
49	455.0096	Klemkonus	Clamping cone



## 2. ROTOR INTAKE WITH DRIVE

### 2. ROTORINVOER MET AANDRIJVING

Drawing no. 975.0035

<i>Fig.</i>	<i>SR-no.</i>	<i>Omschrijving</i>	<i>Description</i>
1a	969.1377	Afstrijkerlijst-27 lang	Stripper frame-27 long
1b	961.0933	Afstrijkerlijst-27 kort Rapide 205	Stripper frame-27 short Rapide 205
	969.1378	Afstrijkerlijst-27 kort Rapide 240	Stripper frame-27 short Rapide 240
	937.0055	Afstrijker	Stripper
2	301.0803	Bout M12×20	Bolt M12×20
3	316.0902	Tandveerring J12	Toothed spring ring J12
4	316.0702	Sluitring A13	Washer A13
5	969.1381	Rotor 5T/6K-27 A72×66 Rapide 205	Rotor 5T/6K-27 A72×66 Rapide 205
	969.1382	Rotor 5T/6K-27 A72×66 Rapide 240	Rotor 5T-/K-27 A72x66 Rapide 240
6	921.0524	Rotoras B72×66 Rap.205	Rotor shaft B72×66 Rapide 205
	921.0571	Rotoras B72x66 Rap.240	Rotor shaft B72x66 Rapide 240
7	402.0211	Glijlager N72100	Slide bearing N72100
8	403.0135	Loopschijf LS-75100	Counting disc LS-75100
9	349.0089	Vulschijf PS-75×95×1	Filler disc PS-75×95×1
	349.0090	Vulschijf PS-75×95×2	Filler disc PS-75×95×2
10	926.0336	Afstandbus 7228	Spacing sleeve 7228
11	937.0016	Afdichtschijf 60/M8	Sealing disc 60/M8
12	302.0607	Cilinderkopbout M8×20	Cylinder head bolt M8×20
13	351.0074	Rotortandwielkast A72×66 (zie blz. 13)	Rotor gearbox A72×66 (Page 13)
14	302.0637	Cilinderkopbout M16×160	Cylinder head bolt M16×160
	302.0639	Cilinderkopbout M16×200	Cylinder head bolt M16×200
15	316.0707	Sluitring A17	Plain washer A17
16	316.0919	Tandveerring J16,5	Toothed spring ring J16,5
17	349.0044	Vulschijf 60×75×1	Filler disc 60×75×1
	349.0047	Vulschijf 60×75×2	Filler disc 60×75×2
18	937.0017	Afdichtschijf 60/M16	Sealing disc 60/M16
19	900.0132	Kogellager RME 60/192	Ball bearing RME 60/192
20	936.0809	Eindflens 60	End flange 60
21	301.0735	Pl. Verz. Bout M16×60	Countersunk bolt M16×60
23	953.0672	Kettingwiel 1"21 met brekbout	Chainsprocket 1"21 shearing bolt
	900.0311	Breekbout M12×55	Shearing bolt M12×55
25	313.0212	Borgring A-60	Locking ring A-60
37	456.0064	Schotelring	Belleville washer
38	456.0063	Steunring	Ring
39	456.0306	Drijfjas B50×45/175 Rapide 205	Rotor drive shaft B50×45/175 Rapide 205
	456.0307	Drijfjas B50x45/200 Rapide 240	Rotor drive shaft B50x45/200 Rapide 240
40	401.0208	Kogellager 6209-2RS	Ball bearing 6209-2RS
41	456.0097	Lagerbus	Bearing bushe
42	306.0704	Moer M12	Nut M12
43	316.0702	Sluitring A13	Washer A13
44	456.0098	Paspen 12M6×57	Dowel 12M6×57
45	351.0066	Tandwielkast WG 13>28	Gear box WG 13>28
46	302.0640	Cilinderkopbout M16×50	Cylinder head bolt M16×50
47	316.0919	Veerring 16mm	Spring washer 16mm
48	302.0623	Cilinderkopbout M16×40	Cylinder head bolt M16×40
49	456.0018	Paspen 12M6x47	Dowel 12M6x47
57	900.0116	Beschermtrichter	Protective cover
58	934.0136	Versterkingsring	Reinforcing ring
59	316.0906	Veerring 10mm	Spring ring 10mm
60	301.0805	Bout M10x25	Bolt M10x25
61	968.0344	Slanghouder	Hose reels



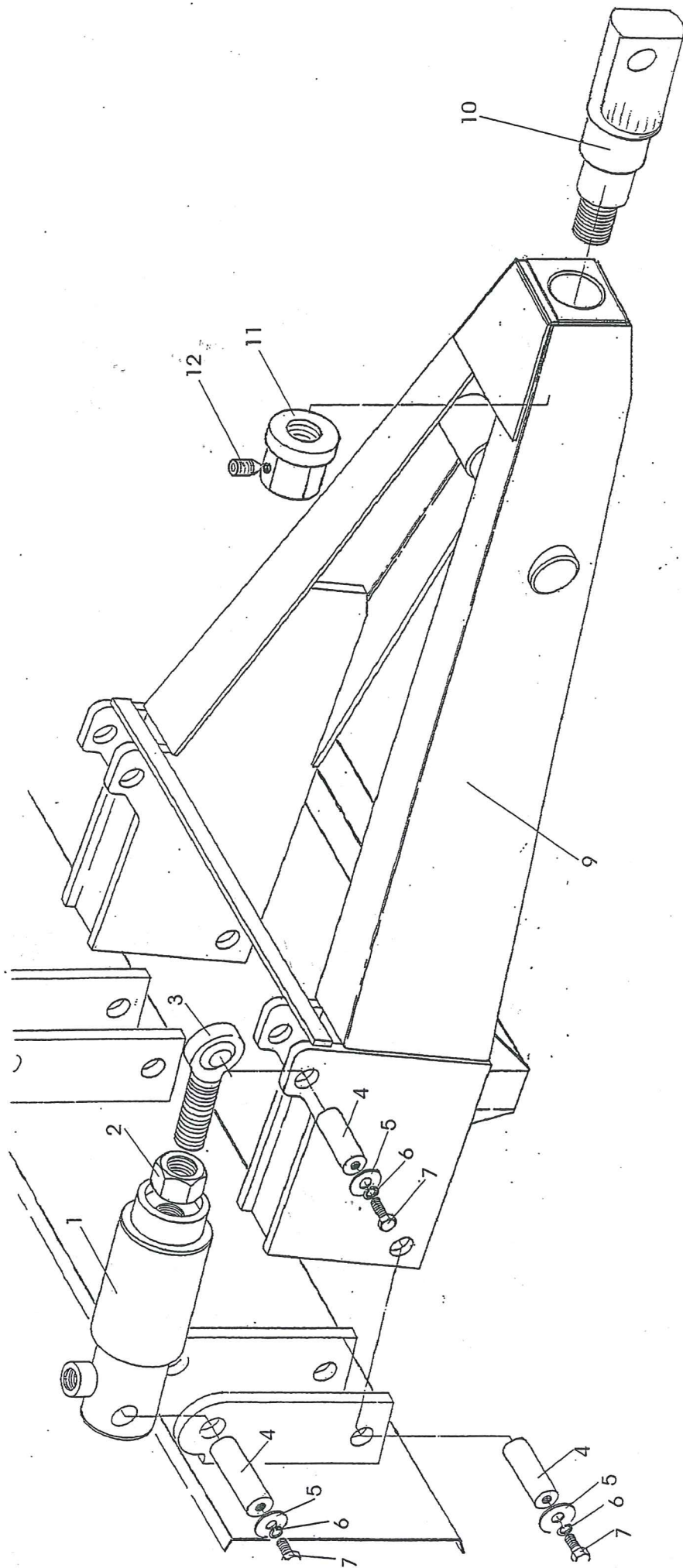


### 3. FLOOR CHAIN WITH DOUBLE DRIVE

#### 3. BODEMKETTING MET DUBBELE AANDRIJVING

Drawing no. : 975.0020

<i>Fig.</i>	<i>SR-no.</i>	<i>Omschrijving</i>	<i>Description</i>
2	401.0107	Kogellager 6306 - 2RS	Ball bearing 6306 - 2RS
3	361.0119	Nilosring 6306 - AV	Nilos ring 6306-AV
4	377.0303	Lagerplaat	Bearing plate
5	316.0904	Veerring 12 mm	Spring washer 12 mm
6	302.0615	Cilinderkopbout M12×35	Cylinder head bolt M12×35
7	302.0643	Cilinderkopbout M12×55	Cylinder head bolt M12×55
8	316.0702	Sluitring A13	Washer A13
9	303.0973	Spanbout M20	Tension bolt M20
10	315.0121	Spie 14×9×80	Feather key 14×9×80
11a	969.0974	Transportkettingas Li. Rapide 205	Transport chain pinion axle left Rapide 205
	969.1373	Transportkettingas Li. Rapide 240	Transport chain pinion axle left Rapide 240
11b	969.0975	Transportkettingas Re. Rapide 205	Transport chain pinion axle right Rapide 205
	969.1374	Transportkettingas Re. Rapide 240	Transport chain pinion axle right Rapide 240
12	355.0037	Hydromotor OMP-200	Hydro Motor OMP-200
13	315.0103	Spie 8×7×30	Key 8×7×30
14	351.0024	Zijkast Ø45 (zie blz.15)	Side box Ø45 (Page 15)
15	316.0917	Bolle veerring C12.5	Spring washer C12.5
16	302.0630	Cilinderkopbout M12×25	Cylinder head bolt M12×25
17	969.1372	Kettingspanner 5T/M20	Chain tensioner 5T/M20
18	301.0745	Bout M16×70	Bolt M16×70
19	925.0481	Klembus	Clamping bush
20	258.0029	Kettingspanwiel 5T	Chain sprocket 5T
21	313.0401	Seegersprengring SB72	Seeger circlip SB72
22	316.0901	Veerring 16 mm	Spring washer 16 mm
23	306.0702	Moer M16	Nut M16
24	961.0149	Bodemketting 1000/75 Rapide 205	Floor chain 1000/75 Rapide 205
	961.0374	Bodemketting 1000/72 Rapide 205	Floor chain 1000/72 Rapide 205
	969.1394	Bodemketting 1100/75 Rapide 240	Floor chain 1100/75 Rapide 240
	960.0948	Bodemketting 1100/72 Rapide 240	Floor chain 1100/72 Rapide 240
25	960.0694	Kettingstaaf 1000 Rapide 205	Chain rod 1000 Rapide 205
	961.0233	Kettingstaaf 1100 Rapide 240	Chain rod 1100 Rapide 240
26	431.0153	Verbindingsschalm	Joining link
27	933.0978	Bevestigingsschijf	Mounting disc
28	303.0932	Verz. bout M12×25	Bolt M12×25
29	306.0302	Borgmoer M12	Locking nut M12
30	937.1146	Afsluitplaat Rapide 205	Closing plate Rapide 205
	937.1147	Afsluitplaat Rapide 240	Closing plate Rapide 240
31	306.0306	Borgmoer M10	Locking nut M10
32	316.0705	Sluitring A10.5	Washer A10.5
33	303.0728	Slotbout M10×25	Bout M10×25

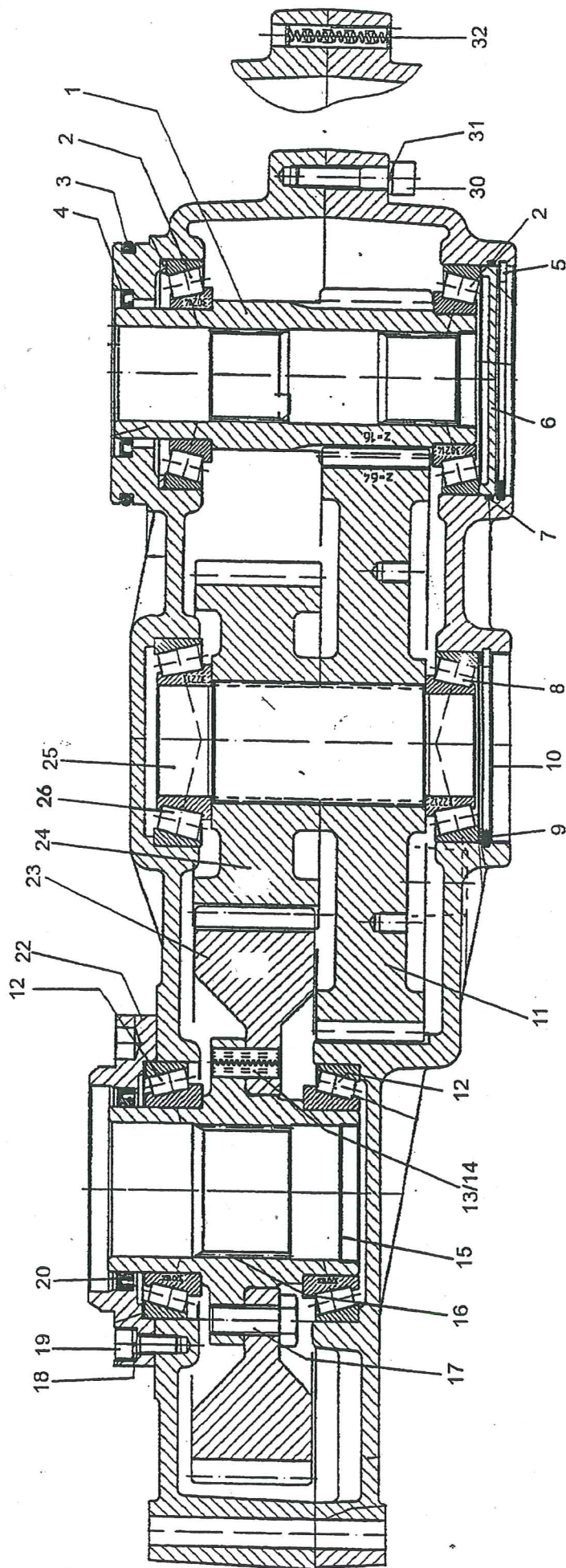


## 4. Towbar

### 4. TREKKOP

Drawing no. 975.0034

<i>Fig.</i>	<i>SR-no.</i>	<i>Omschrijving</i>	<i>Description</i>
1	355.0773	Hydraulische cilinder	Hydr. Cylinder
1a	454.0808	Set afdichtingen	Set of seals
2	306.0716	Moer M39×3	Nut M39×3
3	401.0222	Stangkop GAR-40	Rod end GAR-40
4	920.0753	Scharnierpen-30	Pivoting pin-30
5	316.0742	Sluitring 50/11-8	Washer 50/11-8
6	316.0906	Veerring 10 mm	Spring washer 10 mm
7	301.0805	Bout M10×25	Bolt M10×25
8	921.0077	Scharnieras-40	Hinge pin-40
9	961.0212	Trekkop-E	Tow bar-E
10	921.0330	Draaibaar trekoog	Revolving drawing eye
11	961.0799	Moer M60x2-R	Nut M60x2-R
12	304.0107	Stelschroef M10x12	Set screw M12x12

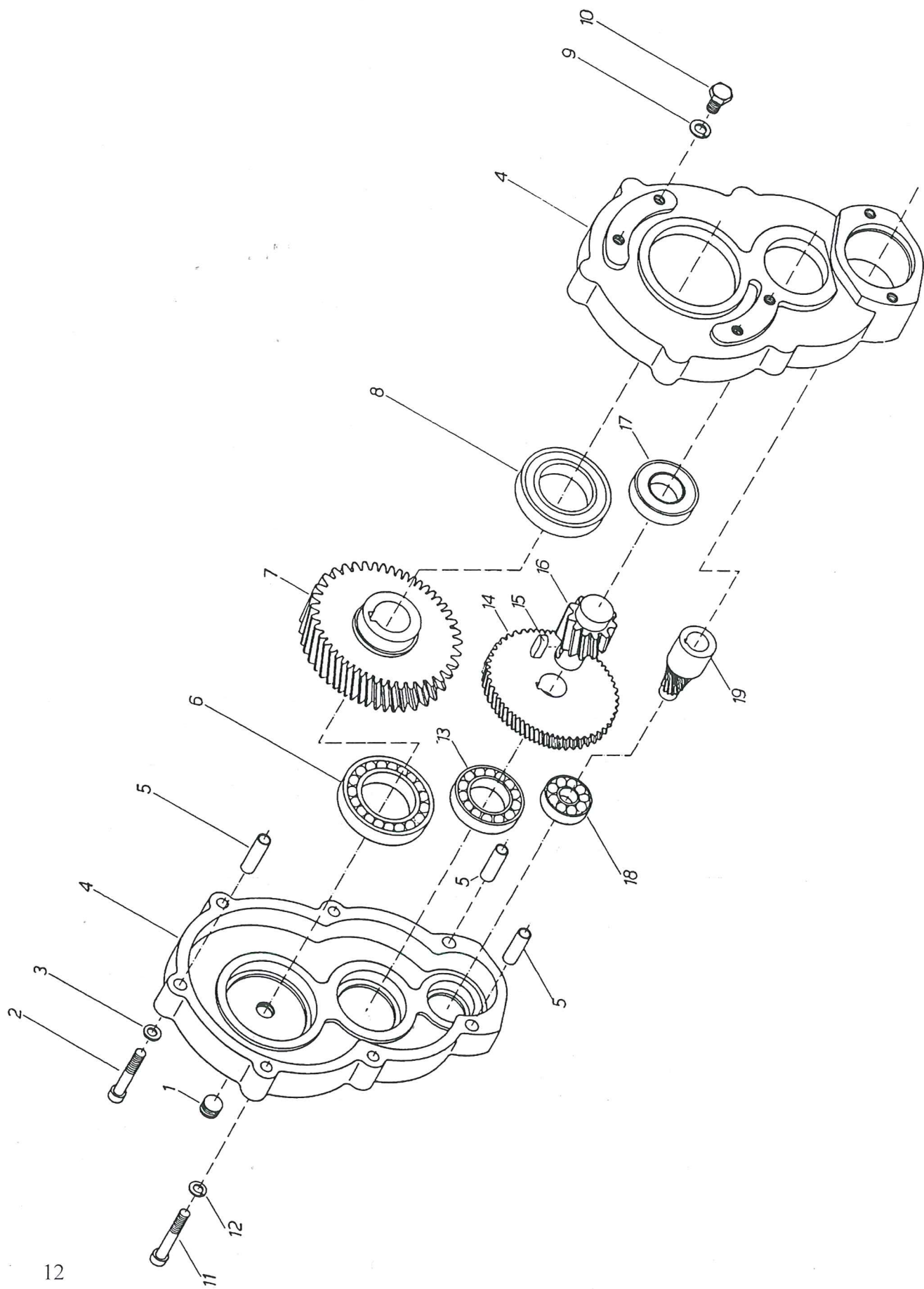


## 5. ROTOR GEARBOX

### 5. ROTOR TANDWIELKAST

Artikcle no. : 351.0074

<i>Fig.</i>	<i>SR-no.</i>	<i>Omschrijving</i>	<i>Description</i>
1	456.0066	Rondselas A50×45 Z=16	Pinion A50x45 Z=16
2	401.0197	Kegellager 30214	Cone bearing 30214
3	365.0013	O-ring 130×5	O-ring 130×5
4	361.0138	Oliekeerring 70×90×7	Oil catcher 70×90×7
5	313.0218	Borgring I-125	Locking ring I-125
6	456.0071	Deksel-125	Cover-125
7	365.0015	O-ring 125×3	O-ring 125×3
8	401.0145	Kegellager 32212	Cone bearing 32212
9	313.0216	Borgring I-110	Locking ring I-110
10	349.0098	Deksel 110	Cover 110
11	456.0067	Tandwiel Z=64	Gear sheel Z=64
12	401.0149	Kegellager 32018	Cone bearing 32018
13	312.0136	Spanhuls 16×40	Clamping sleeve 16×40
14	312.0135	Spanhuls 10×40	Clamping sleeve 10×40
15	349.0092	Deksel 75	Cover 75
16	456.0069	Profielnaaf A72	Nave with splines A72
17	302.0644	Bout M16×1,5×40	Bolt M16×1,5×40
18	316.0906	Veerring 10mm	Spring washer 10mm
19	302.0601	Cilinderkopbout M10×25	Cylinder head bolt M10×25
20	361.0149	Oliekeerring 90×110×10	Oil catcher 90×110×10
22	456.0071	Lagerdeksel	Bearing cover
23	456.0303	Tandwiel Z=37m8	Gear wheel Z=37m8
24	456.0304	Tandwiel Z=23m8	Gear wheel Z=23m8
25	456.0073	Profielas	Shaft with splines
26	401.0195	Kegellager 32213	Cone bearing 32213
30	302.0642	Cilinderkopbout M12×45	Cylinder head bolt M12×45
	302.0643	Cilinderkopbout M12×55	Cylinder head bolt M12×55
	302.0616	Cilinderkopbout M12×100	Cylinder head bolt M12×100
31	316.0904	Veerring 12mm	Spring washer 12mm
32	312.0137	Spanhuls 12×60	Clamping sleeve 12×60
33	456.0019	Ontluchtingsnippel M18×1,5	Air release plug M18×1,5
34	355.0279	Vulplug M18×1,5	Drain plug M18×1,5
35	456.0058	Aftapplug magn. M18×1,5	Drain plug magn. M18×1,5
36	364.0025	Dichtring 18×24×1,5	Sealing ring 18×24×1,5



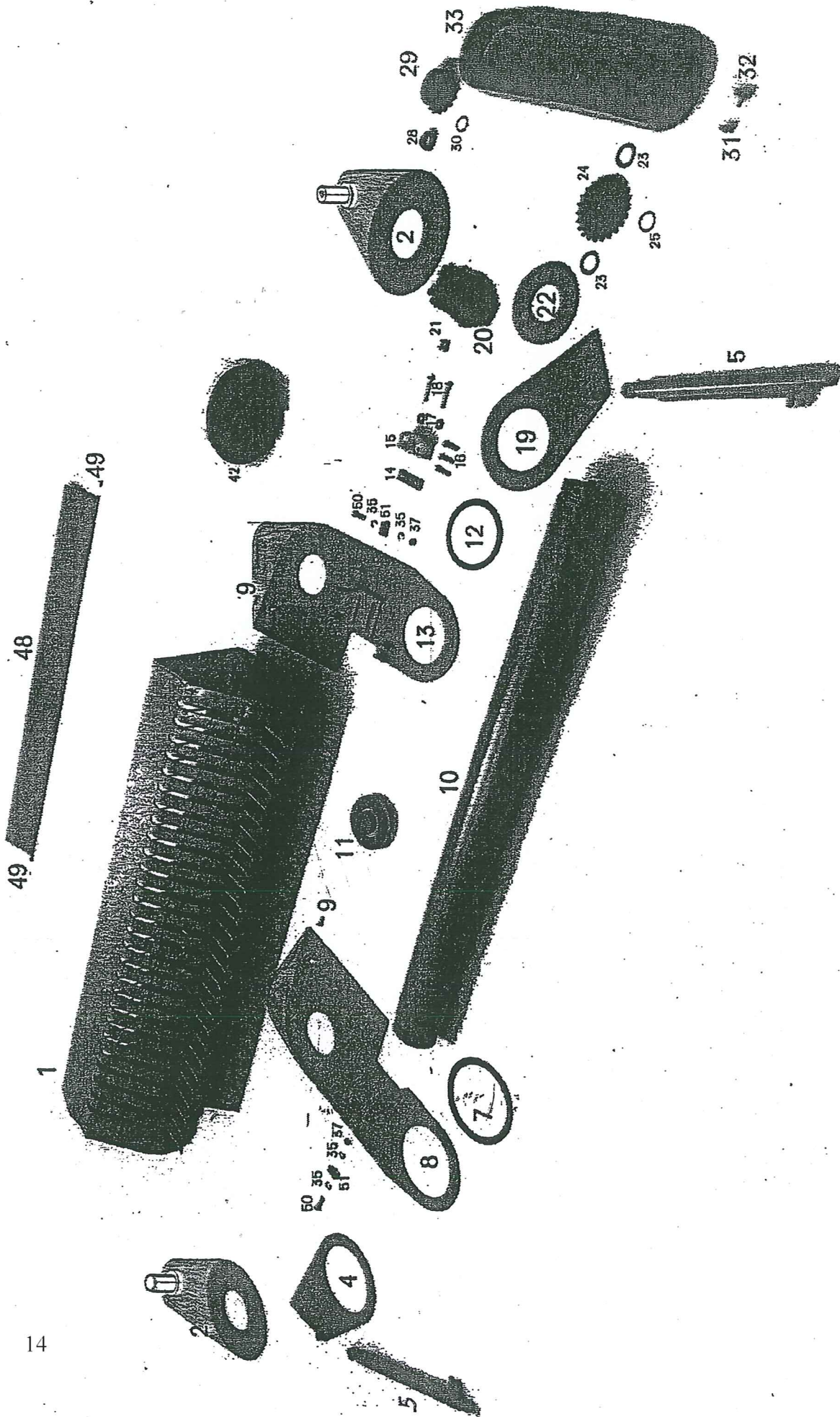
## 6. FLOOR DRIVING GEAR.

### 6. BODEM-AANDRIJFKAST

Artikcle no. : 351.0024

<i>Fig.</i>	<i>SR-no.</i>	<i>Omschrijving</i>	<i>Description</i>
1	381.0111	Draadstop M20×1,5	Screw plug M20×1,5
2	302.0013	Cilinderbout M10×65	Cylinder head bolt M10×65
3	316.0906	Veerring 10 mm	Spring washer 10 mm
4	450.0766	Tandwielkast (2-delig)	Gear case (2-parts)
5	312.0127	Spanhuls 13×50	Clamping sleeve 13×50
6	401.0176	Kogellager 6013	Ball bearing 6013
7	456.0043	Tandwiel met gat Ø45	Gear wheel with hole Ø45
8	401.0177	Kogellager 6013-2RS	Ball bearing 6013-2RS
9	316.0917	Bolle veerring 12,5 mm	Spring washer 12,5 mm
10	301.0807	Bout M12×25	Bolt M12×25
11	302.0613	Cilinderkopbout M10×70	Cylinder head bolt M10×70
12	316.0705	Sluitring A 10,5	Washer A 10,5
13	401.0118	Kogellager 6009	Ball bearing 6009
14	450.0769	Tandwiel	Gear wheel
15	315.0103	Inlegspie 8×7×30	Key 8×7×30
16	450.0768	Tandrondsel	Pinion
17	401.0175	Kogellager 6207-2RS	Ball bearing 6207-2RS
18	451.0031	Kogellager 6304	Ball bearing 6304
19	450.0767	Tandas	Pinion

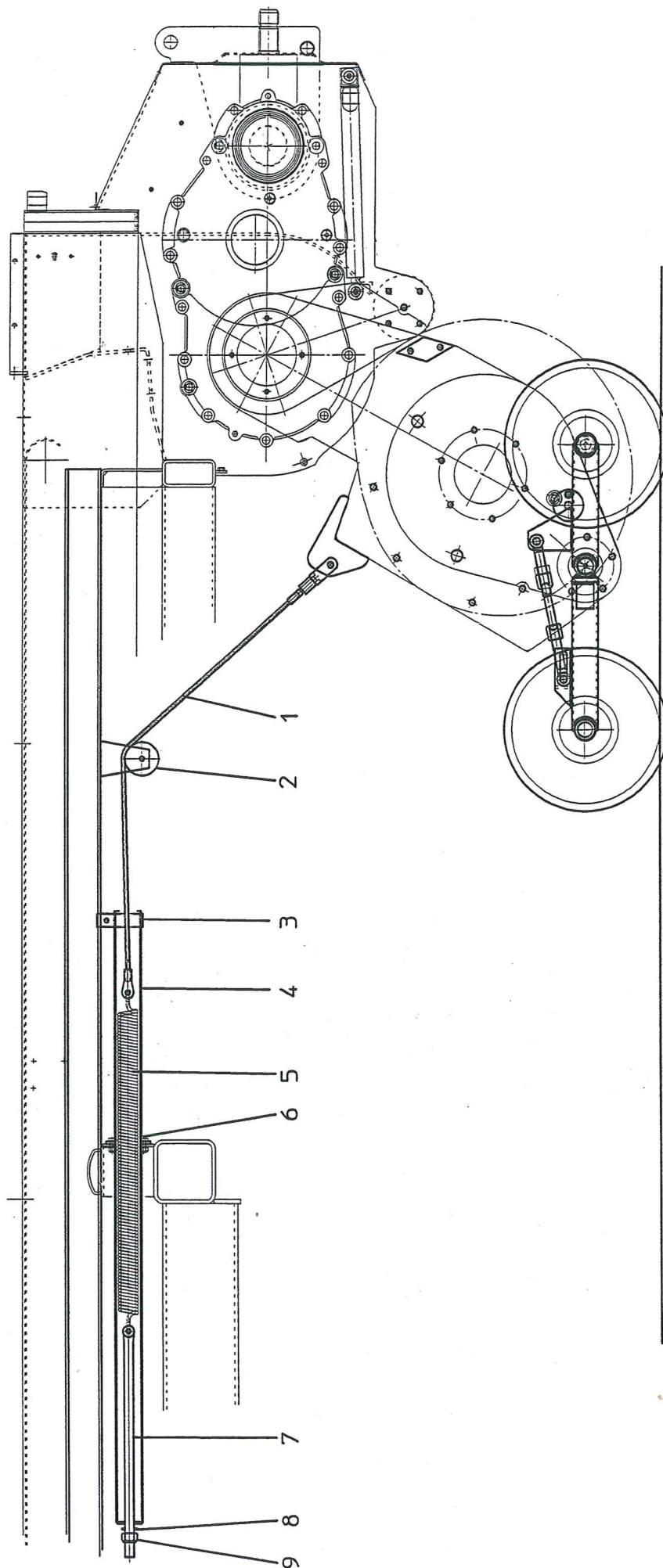




## 7. PICK-UP SUSPENSION WITH DRIVE (6-ROWS)

### 7. PICK-UP OPHANGING MET AANDRIJVING (6-BALKS)

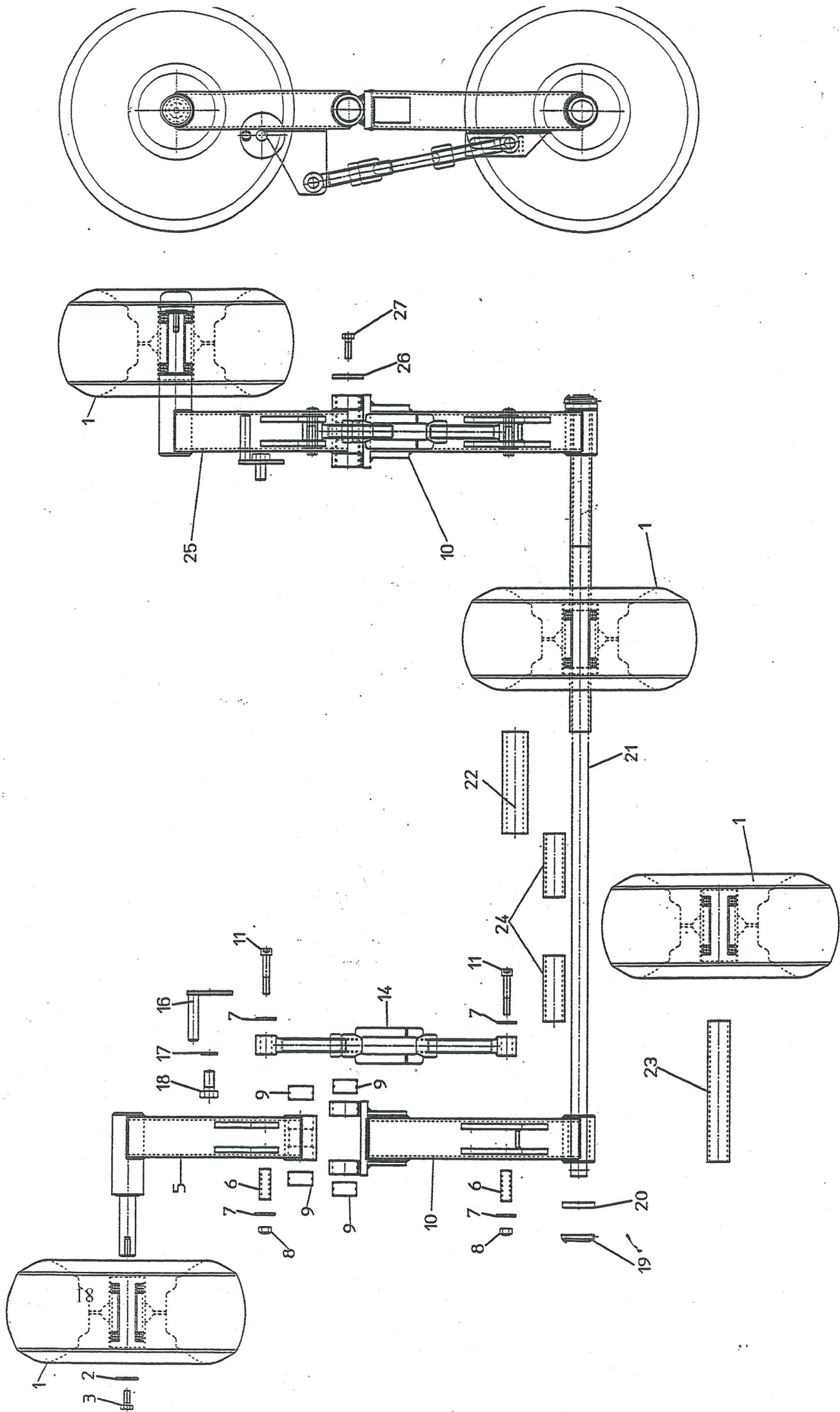
<i>Fig.</i>	<i>SR-no.</i>	<i>Omschrijving</i>	<i>Description</i>
1	433.0118	6-Balks Pick-up compleet Rapide 205	Pick-up, 6 rows, complete Rapide 205
	433.0119	6-Balks Pick-up compleet Rapide 240	Pick-up, 6 rows, complete Rapide 240
2	969.1272	Buitenplaat Li.	Outer plate left
	969.1273	Buitenplaat Re.	Outer plate right
4	969.1328	Pick-up hefplaat Re.	Pick-up lifting plate right
5	355.3006	Hydraulische cilinder (incl. 5a en b)	Hydr. cylinder (incl. 5a and b)
5a	402.0151	Glijlager 20/30	Slide bearing 20/30
5b	454.0812	Set afdichtingen t.b.v. 5	Set of seals for 5
7	402.0208	U-glijlager 192	U-Slide bearing 192
8	953.0756	Pick-up plaat R8/P6 Re. Rapide 205	Pick-up plate R8/P6 right Rapide 205
	953.0745	Pick-up plaat R8/P6 Re. Rapide 240	Pick-up plate R8/P6 right Rapide 240
9	303.0948	Pl. verzonken bout M10×30	Countersunk bolt M10×30
10		Invoerrol Ø140 (zie blz. 27)	Feed roller Ø140 (See page 27)
11	900.0132	Flenslager RME 60/192	Flange bearing RME 50/162
12	402.0208	U-Glijlager 192	U-Slide bearing 192
13	953.0744	Pick-up plaat R8/P6 Li.	Pick-up plate R8/P6 left
14	912.0671	Spanstrip TB-10	Tensioning strip TB-10
14a	302.0935	Spanbout M10×140	Tension bolt M10×140
15	353.0204	Spanblok-65	Tension block-65
17	316.0719	Sluitplaat 10,5 mm	Washer 10,5 mm
18	301.0752	Bout M10×75	Bolt M10×75
19	969.1327	Pick-up hefplaat Li.	Pick-up lifting plate, left
20	356.0192	Ketting 1"-63	Chain 1"-63
21	356.0144	Verloopschalm 1"	Adapter link 1"
	356.0143	Verbindingsschakel 1"	Joining link 1"
22	936.0809	Eindflens 60	End flange 60
24	953.0672	Kettingwiel 1" - 21 met breekbout	Chain wheel 1" - 21 with shearing bolt
24a	900.0311	Breekbout M12×55	Shearing bolt M12×55
25	313.0121	Buitenborgring A-60	Locking ring A-60
29	953.0689	Kettingwiel 1"-18 met vrijloop	Chain wheel 1"-18, with freewheel device
30	921.0279	Eindschijf	End disc
30a	403.0121	Schijf AS-3047	Disc AS-3047
30b	303.0932	Verz. Bout M12×25	Countersunk bolt M12×25
31	306.0359	Plaatmoer M8 zelfborgend	Self-locking nut M8
32	301.0801	Bout M8×16	Bolt M8×16
32a	316.0722	Sluitplaat 8,4 mm	Washer 8,4 mm
33	375.0513	Beschermkap	Protective cover
34	301.0715	Bout M12×45	Bolt M12×45
35	316.0702	Sluitring A13	Washer A13
37	306.0302	Borgmoer M12	Locking nut M12
38	301.0809	Bout M10×20	Bolt M10×20
39	316.0906	Veerring 10 mm	Spring washer 10 mm
40	316.0715	Sluitring R 11	Washer R 11
42	432.0880	Wiel 15×16.00-6-V64 6PR	Wheel 15×16.00-6-V64 6PR
48	969.1129	Achterplaat Rapide 205	Rear plate Rapide 205
	969.1384	Achterplaat Rapide 240	Rear plate Rapide 240
49	303.0912	Pl. verzonken bout M8×20	Countersunk bolt M8×20
50	301.0804	Bout M12×35	Bolt M12×35
51	913.0271	Hefblok	Lifting block
51a	281.0028	Slijtstrip	Wear strip
51b	913.0272	Steunstrip	Support strip



## 8. PICK-UP (6-ROWS) SPRING SUSPENSION GEAR

### 8. PICK-UP (6-BALKS) VERENDE OPHANGING

<i>Fig.</i>	<i>SR-no.</i>	<i>Omschrijving</i>	<i>Description</i>
1	462.0179	Staalkabel	Steel cable
2	281.0034	Kabelrol	Cable roller
2a	925.0712	Busje L=40.	Tube L=40
2b	301.0725	Bout M10x65	Bolt M10x65
2c	316.0705	Sluitring A10,5	Washer A10,5
2d	306.0306	Borgmoer M10	Locking nut M10
3	913.0774	Klembeugel	Clamp
3a	301.0730	Bout M8x70	Bolt M8x70
3b	316.0703	Sluitring A8,4	Washer A8,4
3c	306.0312	Borgmoer M8	Locking nut M8
4	969.1422	Veerbuis	Springtube
5	331.0116	Trekveer	Draw spring
6	301.0805	Bout M10x25	Bolt M10x25
6a	316.0705	Sluitring A10,5	Washer A10,5
6b	306.0306	Borgmoer M10	Locking nut M10
7	969.0998	Veerspanstang	Spring stretcher
8	316.0725	Sluitring A21	Washer A21
9	306.0706	Moer M20	Nut M20



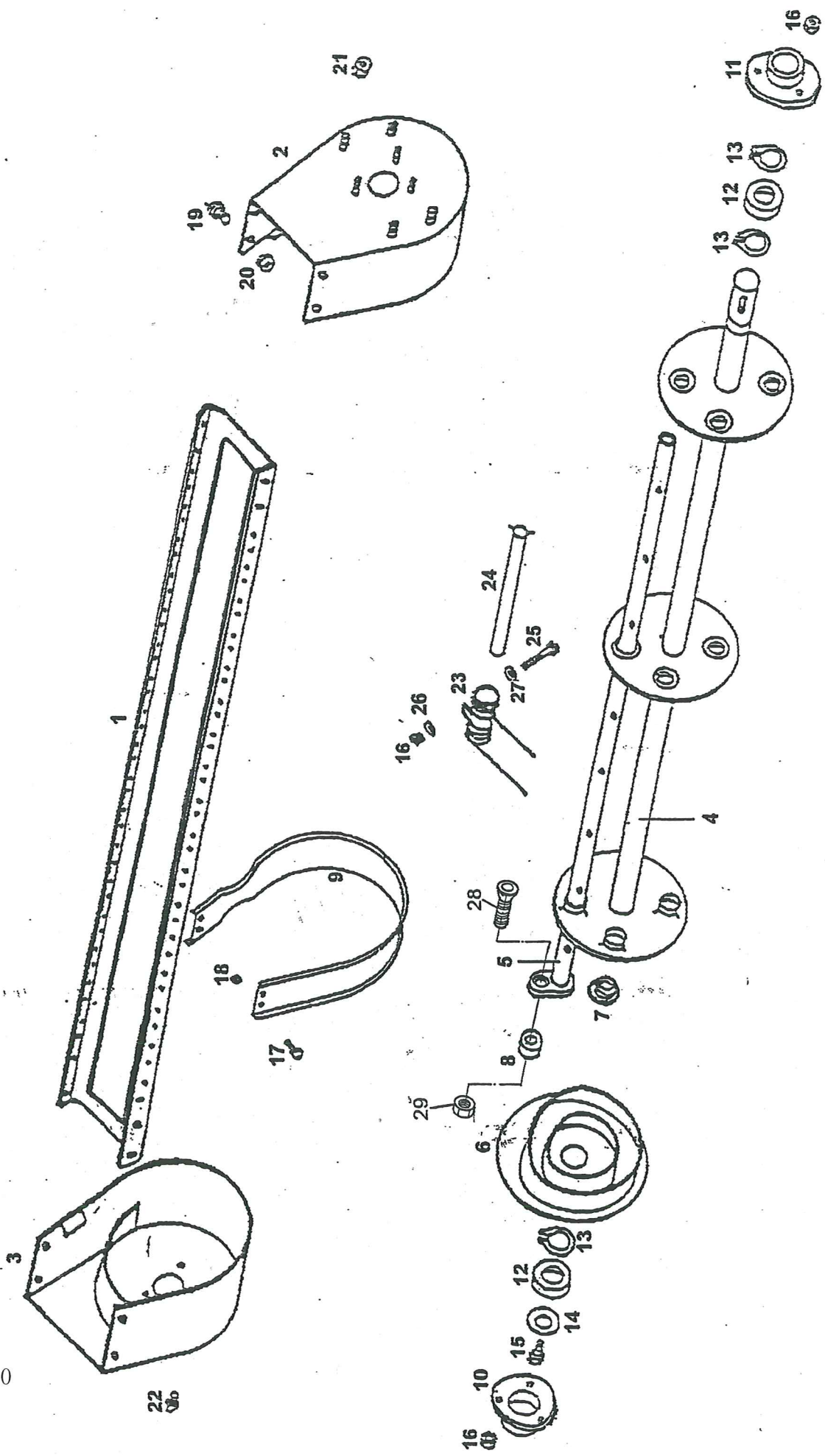
## 9. DOUBLE RUNNER WHEEL

### 9. TANDEM LOOPWIELSTEL

Drawing no. : 994.0471

<i>Fig.</i>	<i>SR-no.</i>	<i>Omschrijving</i>	<i>Description</i>
1	432.0880	Wiel 15x16.00-6-V64 6PR	Wheel 16x16.00-6-V64 6PR
1a	432.0338	Velg 4.50x6	Rim 4.50x6
1b	401.0143	Kogellager 6205-2RS	Bal bearing 6205-2RS
1c	432.0145	Buitenband 15x6.00-6 V64 6PR	Tyre 15x16.00-6 V64 6PR
1d	432.0146	Binnenband 15x6.00	Inner tub 15x6.00
2	316.0715	Sluitring R11	Washer R11
3	301.0809	Bout M10x20	Bolt M10x20
4	349.0060	Naafdop 52/26	Hub cap 52/26
5	961.0624	Loopwielarm LV	Runner arm LV
6	925.0474	Buisje L46	Bush L46
7	316.0719	Sluitplaat A10,5	Washer A10,5
8	306.0306	Borgmoer M10	Locking nut M10
9	402.0141	Glijlager 35/20	Slide bearing 35/20
10	961.0625	Loopwielarm A	Runner arm A
11	302.0603	Cilinderkopbout M10x60	Cylinder head bolt M10x60
14	953.0719	Stelwartel	Adjusting screw
16	961.0642	Excentriek aanslag	Eccentric stop
17	316.0901	Veerring 16mm	Spring washer 16mm
18	301.0825	Bout M16x30	Bolt M16x30
19	301.0731	Bout M8x60	Bolt M8x60
19a	306.0312	Borgmoer M8	Locking nut M8
20	900.0330	Ring	Disc
21	921.0278	Loopwielenas Rapide 205	Runner shaft Rapide 205
	921.0573	Loopwielenas Rapide 240	Runner shaft Rapide 240
22	926.0409	Buis L1050 Rapide 205	Bush L1050 Rapide 205
	926.0491	Buis L1215 Rapide 240	Bush L1215 Rapide 240
23	926.0403	Buis L208	Bush L208
24	926.0402	Buis L100	Bush L100
25	961.0626	Loopwielarm RV	Runner arm RV
26	316.0742	Sluitring 50x11-8	Washer 50x11-8
27	301.0811	Bout M10x30	Bolt M10x30

20

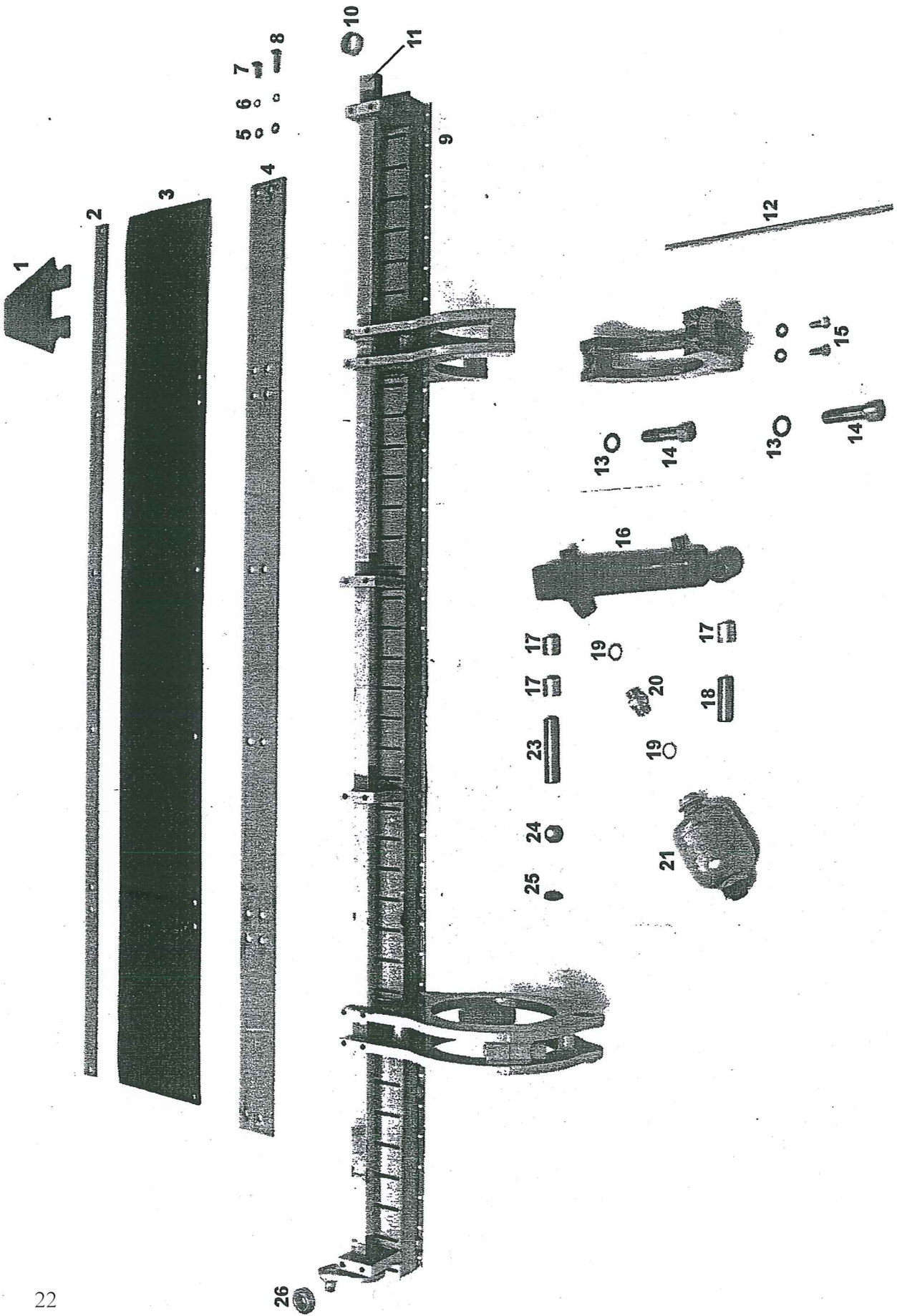


## 10. 6-ROWS PICK-UP

### 10. 6-BALKS PICK-UP

<i>Fig.</i>	<i>SR-no.</i>	<i>Omschrijving</i>	<i>Description</i>
-	433.0118	Pick-up 6-balks Rapide 205	Pick-up 6-rows Rapide 205
-	433.0119	Pick-up 6-balks Rapide 240	Pick-up 6-rows Rapide 240
2	458.0067	Eindkap links	End cover left
3	458.0057	Eindkap rechts	End cover right
4	458.0069	Aandrijfas 1.3/4-6 Rapide 205	Drive shaft 1.3/4-6 Rapide 205
	458.0076	Aandrijfas 1.3/4-6 Rapide 240	Drive shaft 1/3/4-6 Rapide 240
5	458.0069	Veeras Rapide 205	Spring shaft Rapide 205
	458.0077	Veeras Rapide 240	Spring shaft Rapide 240
6	458.0062	Curve-plaat	Curve plate
7	450.0938	Nylonbus	Nylon bush
8	401.0216	Looprol LR-6201	Roller bearing LR-6201
9	458.0063	Geleidebeugel	Guide bracket
10	458.0064	Lagerhuis	Bearing housing
11	458.0064	Lagerhuis	Bearing housing
12	401.0208	Kogellager 6209-2RS	Ball bearing 6209-2RS
13	313.0111	Buitenborgring A45	Locking ring A45
14	934.0236	Ring Ø10/40×3	Ring Ø10/40×3
15	301.0801	Bout M8×16	Bolt M8×16
16	306.0380	Borgmoer M8.10	Locking nut M8.10
17	301.0820	Bout M6×16	Bolt M6×16
18	306.0707	Moer M6	Nut M6
19	301.0809	Bout M10×20	Bolt M10×20
20	306.0701	Moer M10	Nut M10
21	306.0704	Moer M12	Nut M12
22	342.0103	Smeernippel M10×1-180	Grease nipple M10×1-180
23	458.0072	Pick-up tand	Pick-up tine
24	458.0051	Tandveerbuis	Tine spring tube
25	301.0136	Bout M8×50 12.9	Bolt M8×50 12.9
26	316.0713	Sluitring R9	Washer R9
27	458.0052	Klemstukje	Clamping piece
28	303.0930	Verz.bout M12×40	Countersunk bolt M12×40
29	458.0068	Moer M12	Nut M12

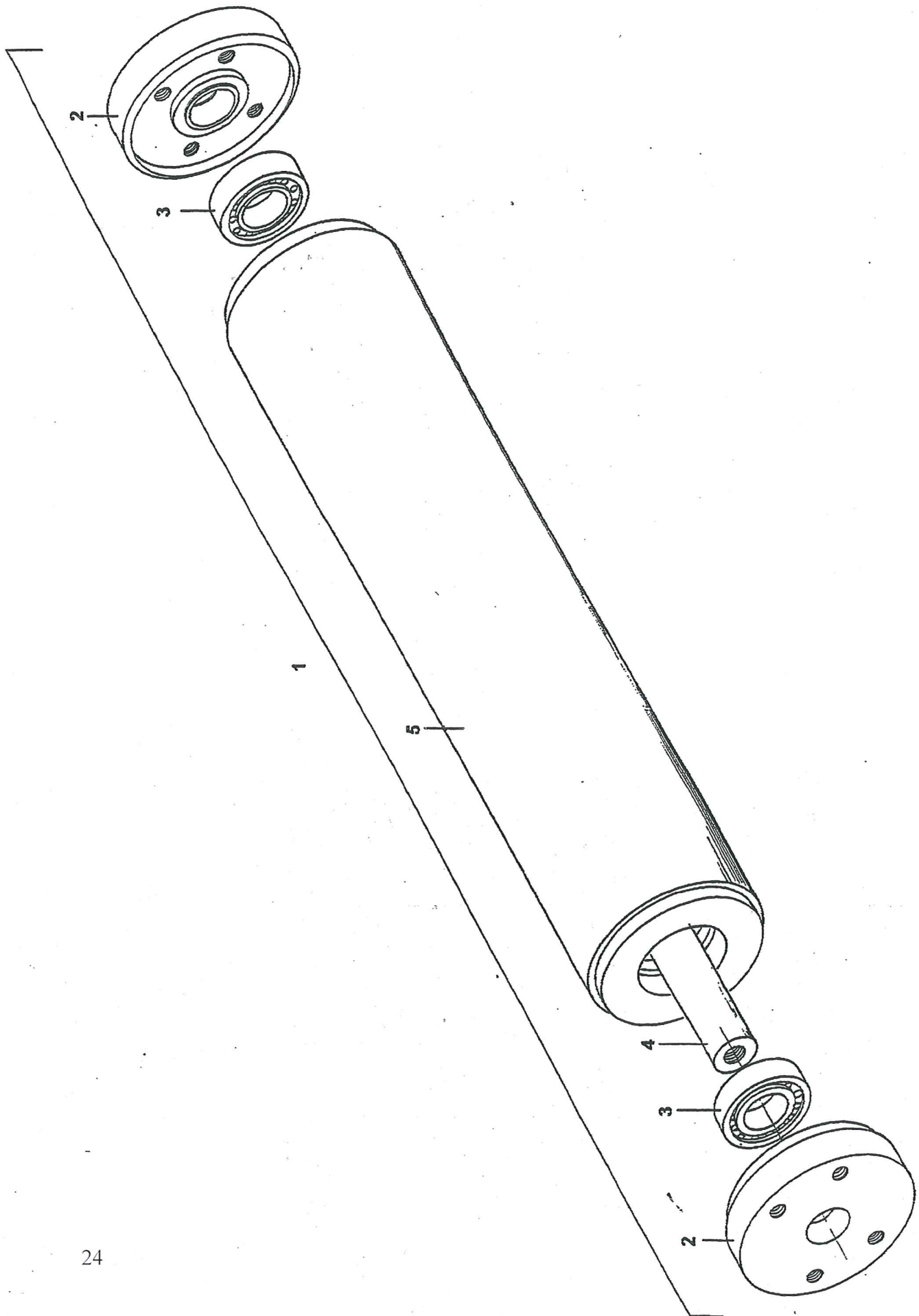




**11. CHOPPING DEVICE**

## 11. SNIJ-INRICHTING

<i>Fig.</i>	<i>SR-no.</i>	<i>Omschrijving</i>	<i>Description</i>
1	433.0116	Mes	Knife
2	913.1128	Klemstrip-175/54 Rapide 205	Clampingstrip-175/54 Rapide 205
	913.1130	Klemstrip-200/54 Rapide 240	Clampingstrip-200/54 Rapide 240
3	374.0205	Rubberen afdichtstrook-175/54 Rapide 205	Rubber sealing-175/54 Rapide 205
	374.0206	Rubberen afdichtstrook-200/54 Rapide 240	Rubber sealing-200/54 Rapide 240
4	913.1127	Steunstrip-175/54 Rapide 205	Support strip-175/54 Rapide 205
	913.1129	Steunstrip-200/54 Rapide 240	Support strip-200/54 Rapide 240
5	316.0705	Sluitring A10,5	Washer A10,5
6	316.0906	Veerring 10 mm	Spring washer 10 mm
7	301.0809	Bout M10×20	Bolt M10×20
8	301.0805	Bout M10×25	Bolt M10×25
9	969.1379	Messenbalk-175/54 (incl. 10 t/m 14) Rap.205	Cutter bar-175/54 (incl. 10 to 14) Rap.205
	969.1380	Messenbalk-200/54 (incl. 10 t/m 14) Rap.240	Cutter bar-200/54 (incl. 10 to 14) Rap.240
10	402.0130	Glijlager 30/15	Slide bearing 30/15
11	969.1126	Messenborg-as 175/54 Rapide 205	Knife-locking shaft 175/54 Rapide 205
	969.1385	Messenborg-as 200/54 Rapide 240	Knife-locking shaft 200/54 Rapide 240
12	281.0010	Kunststof glijstrook 8×4	Plastic sliding strip 8×4
13	316.0919	Tandveerring J16,5	Toothed spring ring J16,5
14	302.0622	Cilinder kopbout M16×60	Cylinder head bolt M16×60
15	301.0801	Bout M8×16	Bolt M8×16
16	355.0791	Hydr. cilinder D25-50/138 (incl. 17 en 17a)	Hydr. cylinder D25-50/138 (incl. 17and 17a)
	454.0813	Set afdichtingen t.b.v. 16	Set of seals for 16
17	402.0129	Glijlager 20/25	Slide bearing 20/25
	402.0128	Glijlager 20/20	Slide bearing 20/20
18	920.0751	Scharnierpen	Pivoting pin
20	355.0142	Rechte fitting R.1/2"	Straight fitting R.1/2"
21	953.0716	Hydr. membraanaccu 80bar (incl. 20 )	Hydr. accumulator 80bar (incl. 20)
	953.0717	Hydr. membraanaccu 120bar (incl. 20)	Hydr. accumulator 120bar (incl.20)
23	900.0379	Bout M20×155	Bolt M20×155
23a	926.0197	Busje L15	Bush L15
23b	306.0314	Borgmoer M20	Locking nut M20
24	306.0704	Moer M12	Nut M12
25	301.0804	Bout M12×35	Bolt M12×35
26	401.0201	Looprol LR 202 NPP	Runner roller LR 202 NPP

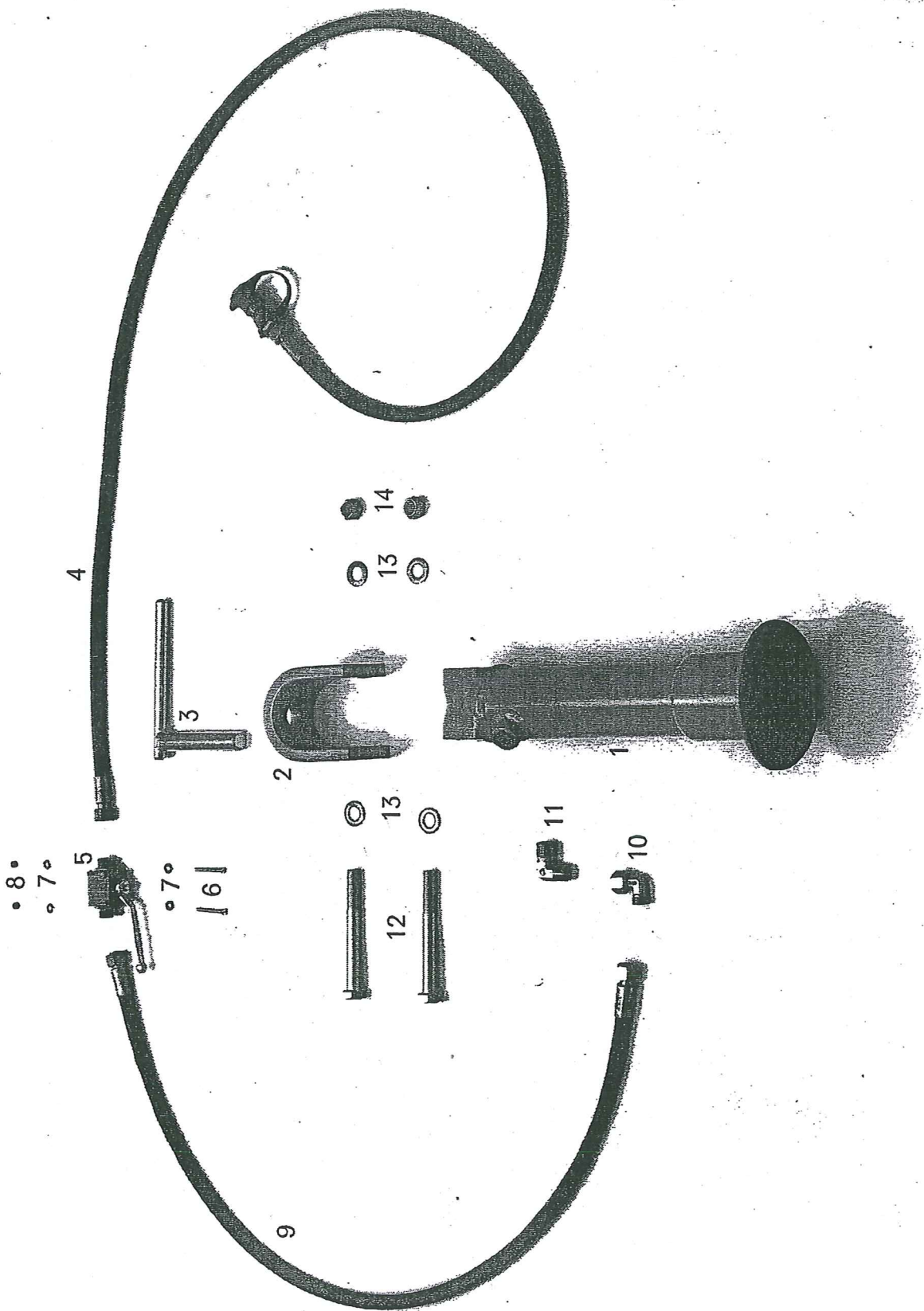


## 12. FEED ROLLER

### 12. INVOERROL

Drawing no. 975.0010

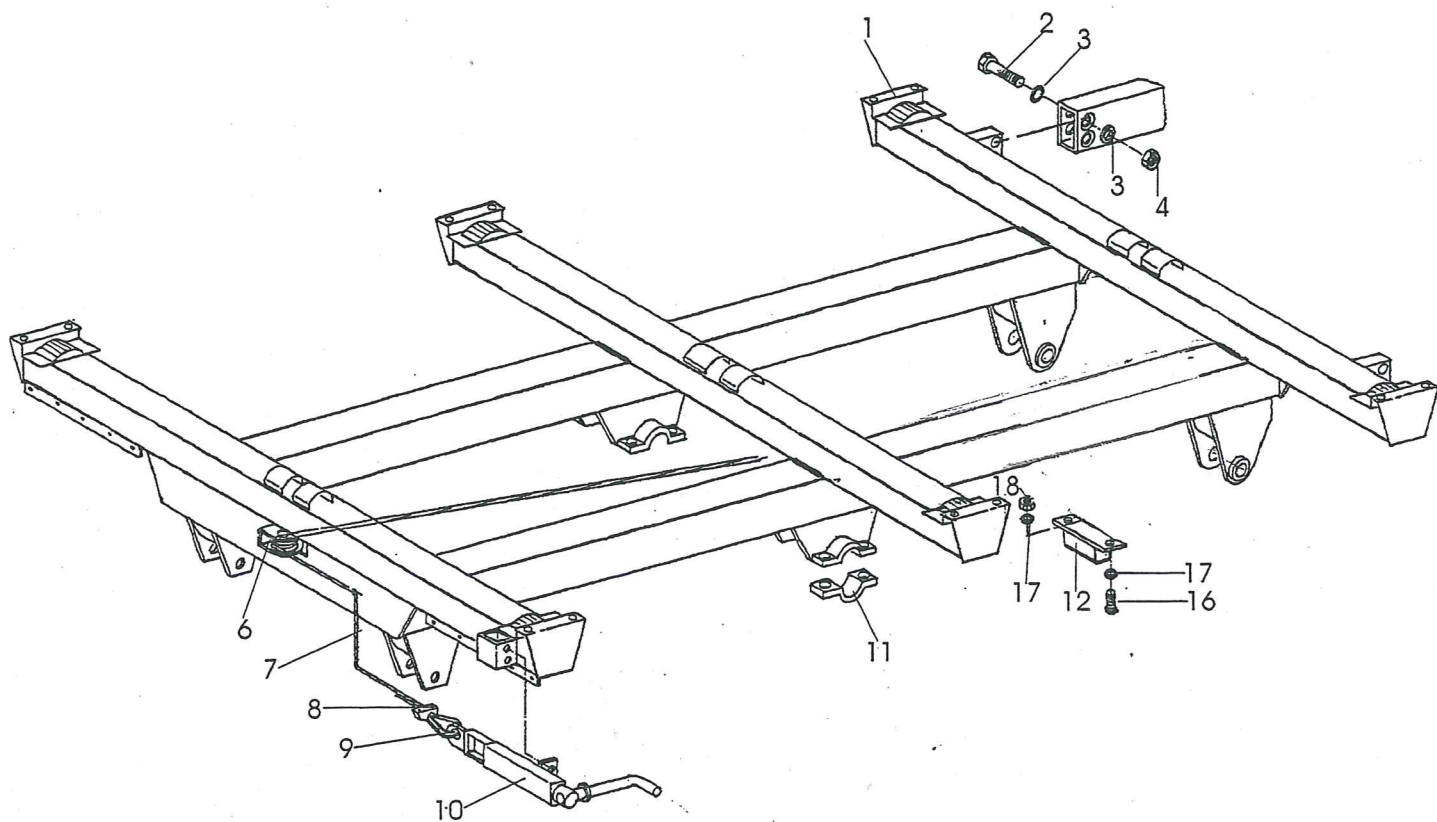
<i>Fig.</i>	<i>SR-no.</i>	<i>Omschrijving</i>	<i>Description</i>
1	953.0573	Invoerrol compleet Rapide 205	Feed roller complete Rapide 205
	953.0757	Invoerrol compleet Rapide 240	Feed roller complete Rapide 240
2	920.0799	Eindflens	End flange
3	401.0175	Kogellager 6207-2RS	Ball bearing 6207-2RS
4	921.0523	Rol-as Rapide 205	Roller shaft Rapide 205
	921.0572	Rol-as Rapide 240	Roller shaft Rapide 240
5	969.1128	Invoerrol Rapide 205	Feed roller Rapide 205
	969.1383	Invoerrol Rapide 240	Feed roller Rapide 240



### 13. HYDRAULIC PARKING SUPPORT

#### 13. HYDRAULISCHE STEUNPOOT

<i>Fig.</i>	<i>SR-no.</i>	<i>Omschrijving</i>	<i>Description</i>
1	967.0781	Steunpootcilinder	Parking support cylinder
1a	454.0059	Set afdichtingen t.b.v. 1	Set of seals for 1
2	911.0784	Scharnierstuk	Hinge piece
3	967.0780	Grendelpen	Locking pin
4	417.0432	Hydr. Slang L2600	Hydr. Hose L2600
5	355.0667	Tweeweg kogelkraan NW10	Two-way ball valve NW10
6	303.0952	Cilinder kopschroef M5×45	Cylinder head bolt M5×45
7	316.0730	Sluitring A5,3	Washer A5,3
8	306.0335	Borgmoer M5	Self-locking nut M5
9	417.0404	Hydr. slang L1200	Hydr. Hose L1200
10	355.0197	Instelbare haakse koppeling 12	Adjustable angle coupling 12
11	355.0124	Haakse koppeling	Angle coupling
12	301.0783	Bout M16×140	Bolt M16×140
13	316.0707	Sluitring A17	Washer A17
14	306.0303	Borgmoer M16	Locking nut M16



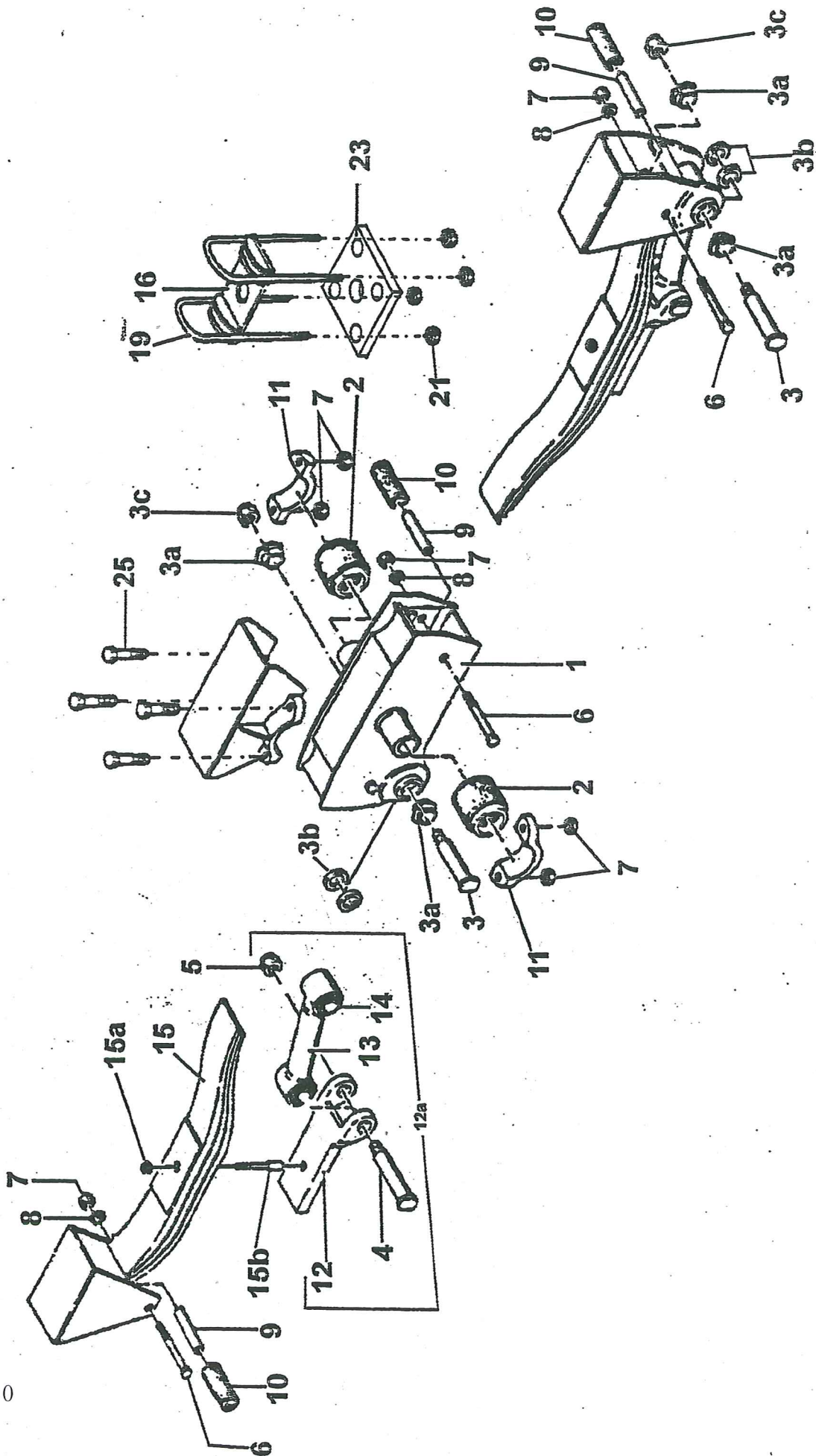
## 14. TANDEMFRAME SPRING ASSEMBLIE

### 14. TANDEM FRAME GEVEERD

Drawing no. : 975.0027

<i>Fig.</i>	<i>SR-no.</i>	<i>Omschrijving</i>	<i>Description</i>
1	969.1306	Tandemframe Rapide 205	Tandemframe Rapide 205
	969.1307	Tandemframe Rapide 240	Tandemframe Rapide 240
2	301.0771	Bout M20×90	Bolt M20×90
3	316.0311	Conische veerring 20mm	Conical spring ring 20mm
4	306.0706	Moer M20	Nut M20
6	462.0127	Kabelrol	Cable roller
7	371.0132	Staalkabel	Steel cable
8	378.0118	Kabelklem	Cable clamp
9	378.0102	Puntkous	Cable lug
10	968.0628	Parkeerrem	Parking brake
11	462.0555	Lagerschaal	Bearing cup
12	376.0158	Rubber aanslagblok	Bump stop
16	301.0805	Bout M10x25	Bolt M10x25
17	316.0705	Sluitring A10,5	Washer A10,5
18	306.0306	Borgmoer M10	Locking nut M10
31	316.0702	Sluitring A13	Washer A13
32	306.0302	Borgmoer M12	Locking nut M12

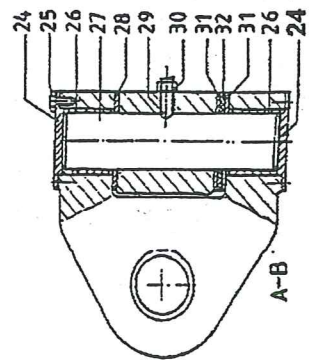
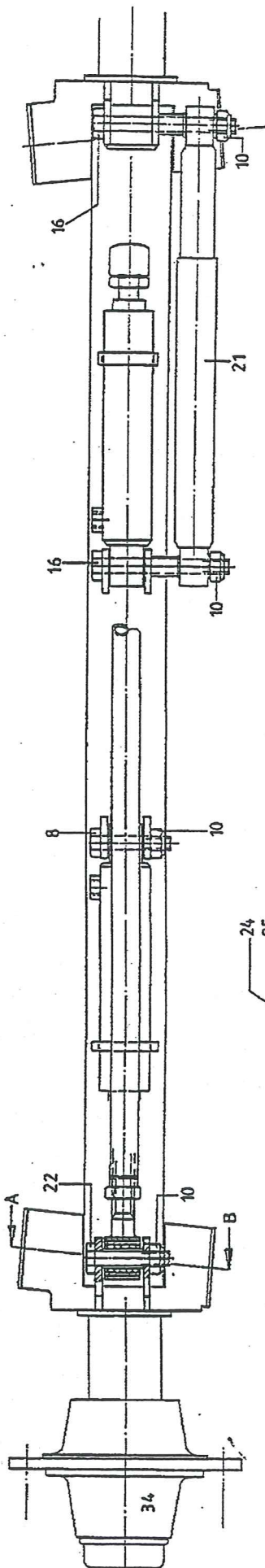
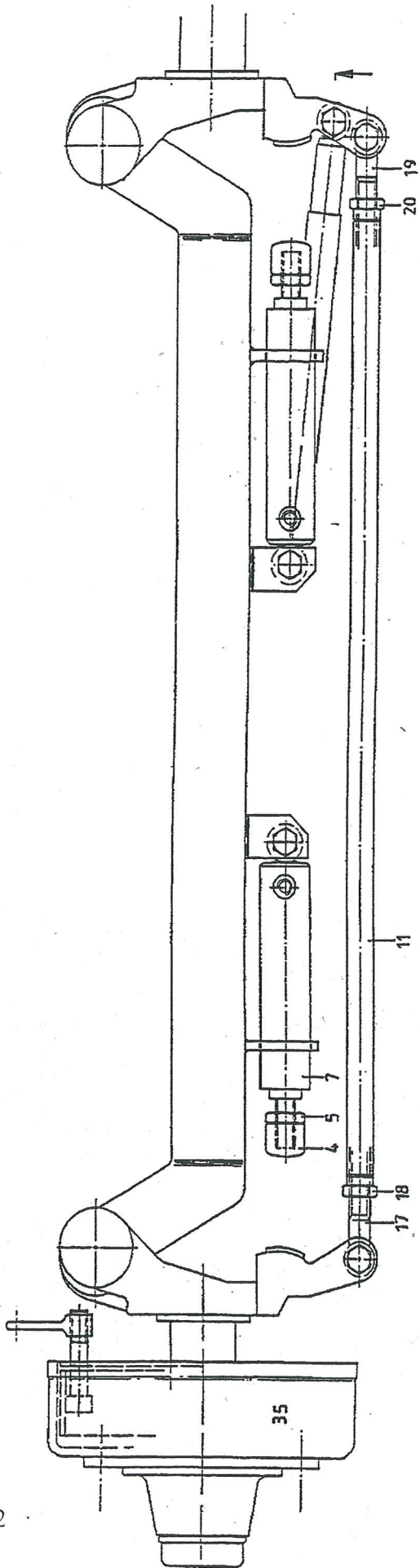




## 15. GIGANT SPRING ASSEMBLIES

### 15. GIGANT VEERSTELLEN

<i>Fig.</i>	<i>SR-no.</i>	<i>Omschrijving</i>	<i>Description</i>
1	462.0517	Pendelstuk	Oscillating piece
2	450.0925	Rubberbus	Rubber bushing
3	462.0538	Excenterbout (incl. 3a, b en c)	Eccentric bolt (incl. 3a, b and c)
4	450.0926	Veerbout M27×1,5 (incl. 5)	Suspension bolt (incl. 5)
5	450.0927	Moer M27×1,5	Nut M27×1,5
6	301.0713	Bout M16×160	Bolt M16×160
7	306.0303	Borgmoer M16	Locking nut M16
8	316.0707	Sluitring A17	Washer A17
9	926.0274	Buisje L=116	Bush L=116
10	462.0557	Rubberrol L=100	Rubber roller L=100
11	462.0555	Lagerschaal middenstoel	Bearing cup middle block
12	-	Veertrekplaat	Spring drawing plate
12a	462.0534	Trekveerarm 100/453	Draw spring arm 100/453
13	-	Veertrekarm (incl. 14)	Spring draw arm (incl. 14)
14	450.0944	Rubberbus	Rubber bushing
15	462.0524	Veerpakket 100/1600-8	Spring assembly 100/1600-8
16	968.0376	Veerplaat 100/110	Spring plate 100/110
19	462.0548	Veerstrop M24×400	Spring U-bolt M24×400
21	462.0552	Borgmoer M24×3	Locking nut M24×3
23	961.0238	Veer-asplaat met blok 100/110-40	Spring axle plate 100/110-40
25	301.0745	Bout M16×70	Bolt M16×70

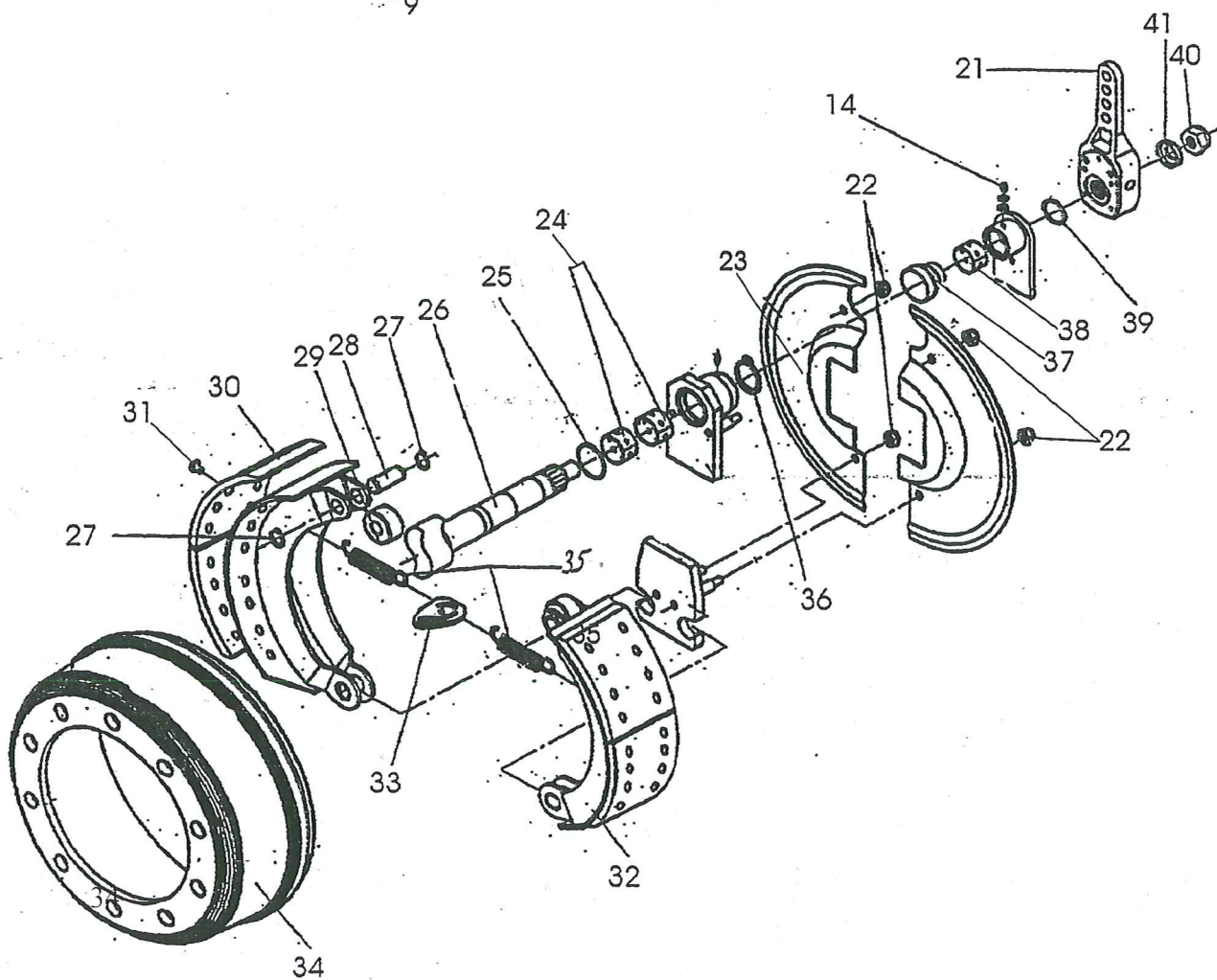
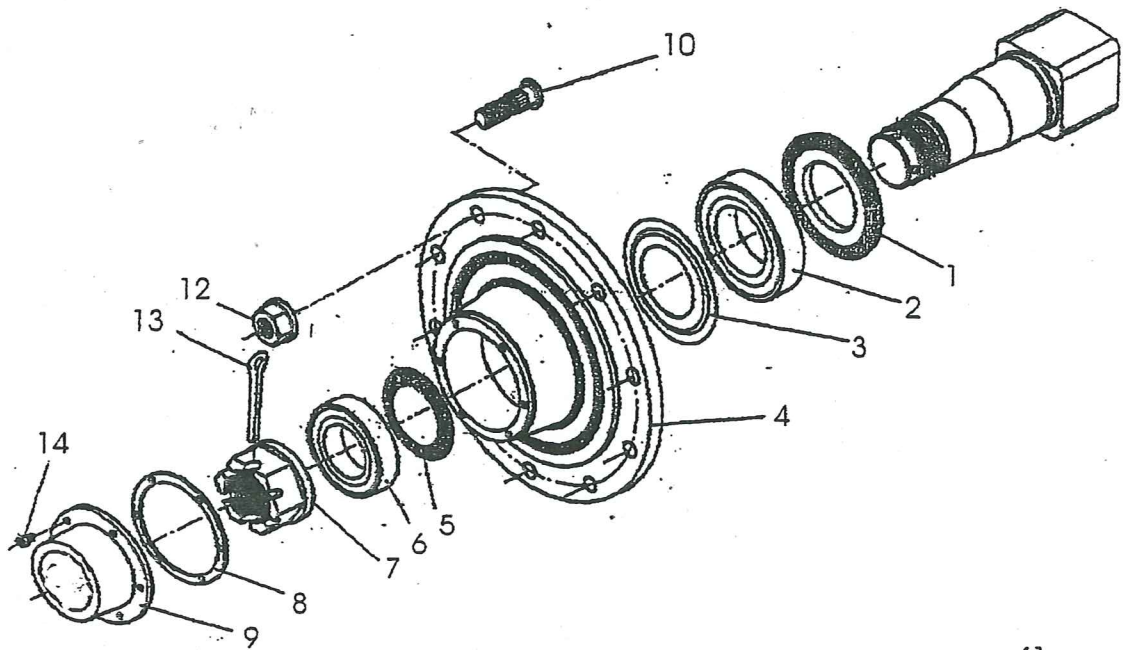


## 16. TRACK FOLLOWING WHEEL AXLE

### 16. MEELOPEND GESTUURDE WIELAS

Drawing no. 975.0014

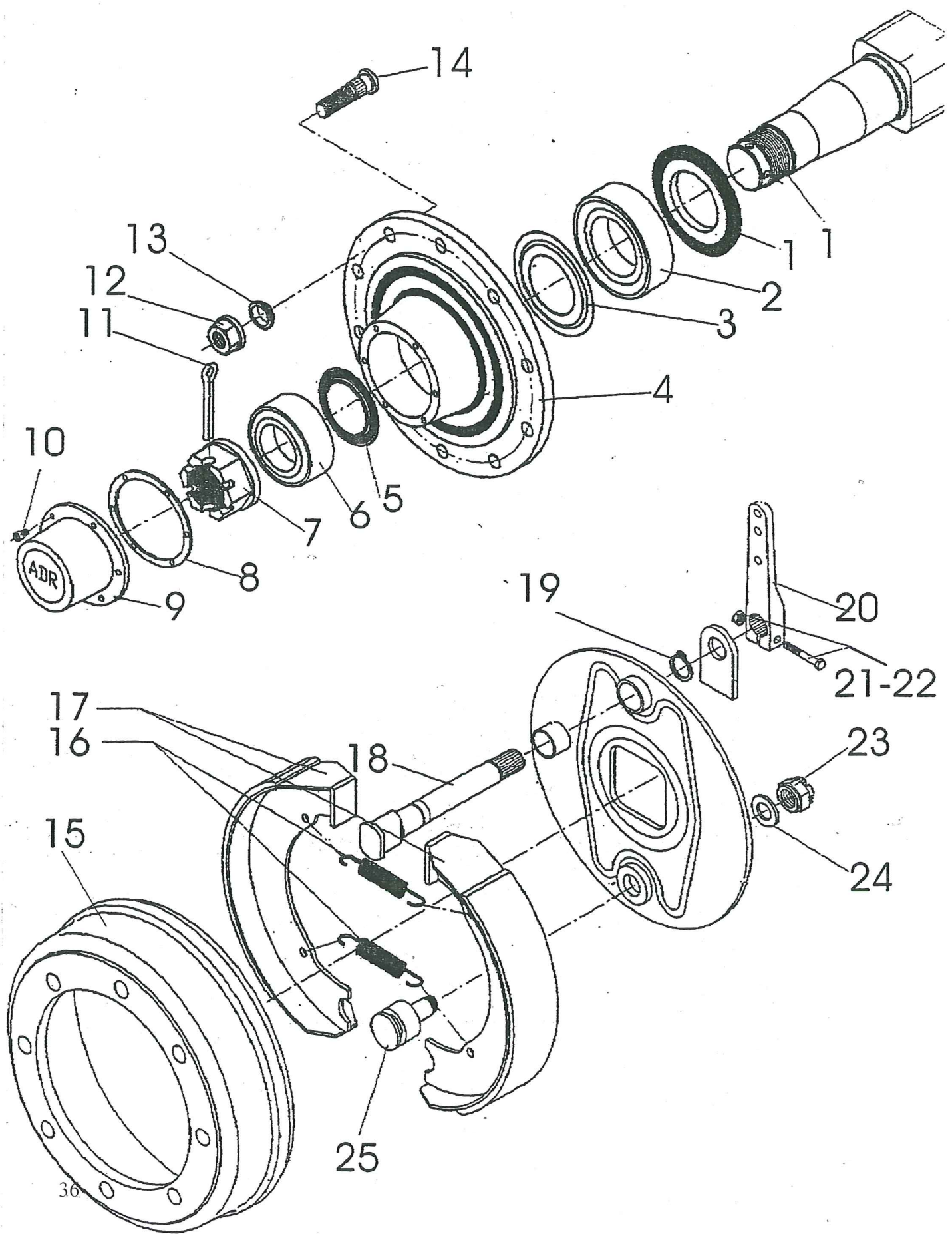
<i>Fig.</i>	<i>SR-no.</i>	<i>Omschrijving</i>	<i>Description</i>
1	435.0819	Volg-as EUR 1110/200-408 Rapide 205	Track-following axle EUR 1110/200-408 (205)
	435.0820	Volg-as EUR 1110/220-408 Rapide 240	Track-following axle EUR 1110/220-408 (240)
4	452.0405	Dopmoer M27×3	Capped nut M27×3
5	306.0368	Moer M27×3	Nut M27×3
7	452.0404	Arreteercilinder	Stop-motion cylinder
8	301.0781	Bout M20×130	Bolt M20×130
10	306.0314	Zelfborgende moer M20	Self-locking nut M20
11	452.0401	Spoorstang M30×3,5L/R-1220	Control lever
16	301.0795	Bout M20×190	Bolt M20×190
17	452.0396	Draadeind M30×3,5L (incl. 17a)	Threaded end M30×3,5L (incl. 17a)
17a	452.0398	Elastische lagerbus 20/38	Elastic bearing bush 20/38
18	306.0361	Moer M30×3,5L	Nut M30×3,5L
19	452.0397	Draadeind M30×3,5R (incl. 17a)	Threaded end M30×3,5R (incl. 17a)
20	306.0362	Moer M30×3,5R	Nut M30×3,5R
21	452.0406	Schokdemper	Shock absorber
22	301.0771	Bout M20×90	Bolt M20×90
24	452.0395	Sluitdeksel	Cover
25	301.0806	Bout M8×20	Bolt M8×20
26	452.0391	Lagerbus	Bearing bush
27	452.0390	Fusee-as	Swivel pin shaft
28	452.0393	Axiaalschijf	Axial disc
29	304.0115	Stelschroef M16×30	Setscrew M16×30
30	306.0702	Moer M16	Nut M16
31	452.0394	Vulschijf	Filler disc
32	452.0393	Axiaalschijf	Axial disc
33	301.0835	Bout M8×30	Bolt M8×30
34	-	Asstomp (zie blz. 39)	Shaft end (See page 39)



## 17. Wheel axles Coleart ((Typ EUR 1110) Brake 406×120)

### 17. WIELASSEN COLEART ((TYPE EUR 1110) REM 406×120)

<i>Fig.</i>	<i>SR-no.</i>	<i>Omschrijving</i>	<i>Description</i>
-	955.0550	Wielas EUR 1110/200-406 Rapide 205	Wheel axle 1110/200-406 Rapide 205
-	955.0553	Wielas EUR 1110/220-406 Rapide 240	Wheel axle 1110/220-406 Rapide 240
1	452.0445	Steunring met afdichting	Supporting ring with sealing
2	401.0403	Kegellager 33118	Cone bearing 33118
3	452.0527	Dichtschijf	Sealing disc
4	452.0525	Wielnaaf	Wheel hub
5	452.0526	Dichtschijf	Sealing disc
6	401.0402	Kegellager 33215	Cone bearing 33215
7	452.0451	Kroonmoer M70x2-90R	Castle nut M70x2-90R
8	452.0482	Pakkingring	Seal ring
9	452.0529	Naaafdop 130	Hub cap 130
10	452.0335	Wielbout M22x1,5-96	Wheel bolt M22x1,5-96
12	452.0050	Wielmoer M22×1,5-KC	Wheel nut M22×1,5-KC
13	375.0127	Splitpen 10x100	Split pin 10x100
14	302.0606	Cilinderkopbout M8x12	Cylinder head bolt M8x12
21	452.0507	Remhefboom GS-10Z	Brake lever GS-10Z
22	306.0306	Borgmoer M10	Locking nut M10
23	452.0492	Set afdichtplaten 110	Set of seal plate 110
24	452.0493	Glijlager	Bearing bush
25	452.0494	O-ring	O-ring
26	452.0549	Remas L730/S	Brake shaft L730/S
	452.0550	Remas L730/Z	Brake shaft L730/Z
27	313.0102	Borgring A-20	Locking ring A-20
28	452.0490	Rolpen	Roller pin
29	452.0491	Rol	Roller
30	452.0486	Remvoering 406x120	Brake lining 406x120
31	452.0487	Klinknagel	Rivet
32	452.0484	Remschoen met voering 406x120	Brake shoe with lining 406x120
33	452.0489	Veerspanstuk	Spring clamp
34	452.0329	Remtrommel 406x120	Brake drum 406x120
35	452.0488	Trekveer	Draw spring
36	313.0126	Borgring A-42	Locking ring A-42
37	452.0022	Manchet	Sealing bush
38	452.0497	Glijlager	Bearing bush
39	452.0524	Draadring	Wire ring
40	313.0106	Borgring A-25	Locking ring A-25
41	316.0727	Sluitring 26mm	Washer 26mm

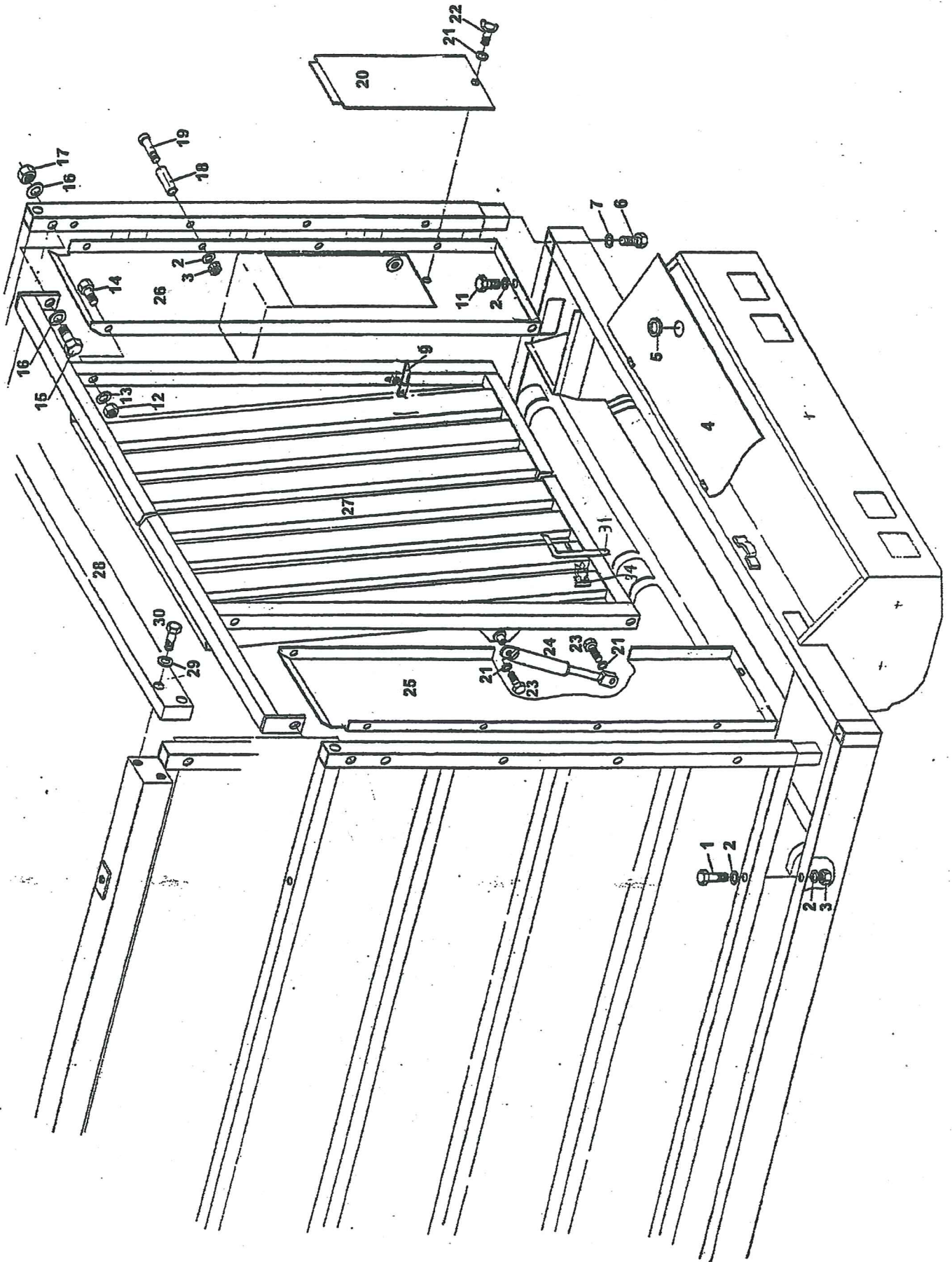


**18. TRACK FOLLOWING AXLES COLAERT (TYP EUR 1110 BRAKE 400×80)**

18. MEELOPENDE WIELAS COLAERT ((TYPE EUR 1110) REM 400×80)

<i>Fig.</i>	<i>SR-no.</i>	<i>Omschrijving</i>	<i>Description</i>
1	435.0819	Wielas EUR 1110/200-408 Rapide 205	Wheel axle EUR 1110/200-408 Rapide 205
	435.0820	Wielas EUR 1110/220-408 Rapide 240	Wheel axle EUR 1110/220-408 Rapide 240
1	452.0445	Steunring met afdichting	Supporting ring with sealing
2	401.0403	Kegellager 33118	Cone bearing 33118
3	452.0527	Dichtschiif	Sealing disc
4	452.0525	Wielnaaf	Wheel hub
5	452.0526	Dichtschiif	Sealing disc
6	4010402	Kegellager 33215	Cone bearing 33215
7	452.0451	Kroonmoer M70x2-90R	Castle M70x2-90R
8	452.0482	Pakkingring	Seal ring
9	452.0529	Naaafdop 130-Colaert	Hub cap Colaert
10	302.0606	Cilinderkopbout M8x12	Cylinder head bolt M8x12
11	375.0127	Splitpen 10x100	Split pin 10x100
12	452.0050	Wielmoer M22x1,5-KC	Wheel nut M22x1,5-KC
14	452.0335	Wielbout M22×1,5-96	Wheel bolt M22×1,5-96
15	452.0328	Remtrommel 400x80-10	Brake drum 400x80-10
16	452.0340	Trekveer	Draw spring
17	452.0453	Remschoen met voering 400x80	Brake shoe with lining 400x80
18	452.xxxx	Remas	Brake shaft
19	313.0112	Borgring A-38	Locking ring A-38
20	452.0521	Remhefboom	Brake lever
21	301.0724	Bout M10x55	Bolt M10x55
22	306.0306	Borgmoer M10	Locking nut M10
23	452.0039	Moer M20x1,5	Nut M20x1,5
24	316.0908	Veerring 20mm	Spring washer 20mm
25	452.0452	Rembout 408-M20x1,5	Brake bolt 408-M20x1,5



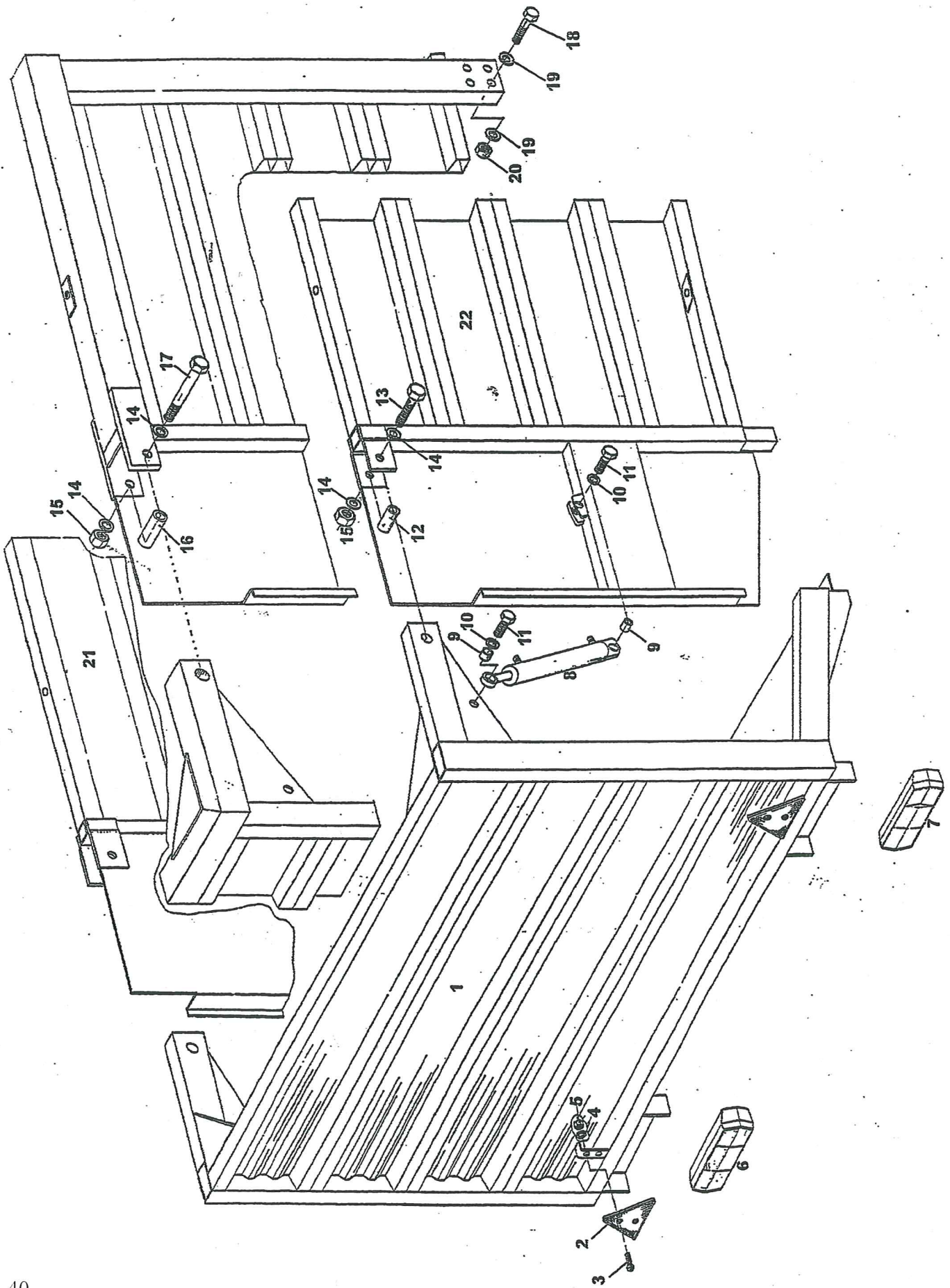


## 19. FRONT BOARD

### 19. VOORBORD

Drawing no. 975.0001

<i>Fig.</i>	<i>SR-no.</i>	<i>Omschrijving</i>	<i>Description</i>
1	301.0739	Bout M10×90	Bolt M10×90
2	316.0705	Sluitring A10,5	Washer A10,5
3	306.0306	Borgmoer M10	Locking nut M10
4	937.0627	Deksel-175	Protective cover-175
	937.1036	Deksel-200	Protective cover-200
6	301.0836	Bout M16×45 (achter)	Bolt M16×45 (rear)
	301.0787	Bout M16×200 (voor)	Bolt M16×200 (front)
7	316.0901	Veerring 16 mm	Spring washer 16 mm
9	371.0294	Tuimelsluiting	Rocker fastening
11	301.0809	Bout M10×20	Bolt M10×20
12	306.0303	Borgmoer M16	Locking nut M16
13	316.0707	Sluitring A17	Washer A17
14	301.0759	Bout M16×80	Bolt M16×80
15	301.0771	Bout M20×90	Bolt M20×90
16	316.0725	Sluitring A21	Washer A21
17	306.0314	Borgmoer M20	Locking nut M20
18	925.0393	Busje L37	Bush L37
19	302.0603	Cilinderkopbout M10×60	Cylinder head bolt M10×60
20	937.0841	Sluitplaat	Locking plate
21	316.0703	Sluitring A8,4	Washer A8,4
22	349.0063	Vleugelknop M8×20	Wing nut M8×20
23	301.0750	Bout M8×35	Bolt M8×35
24	333.0001	Gasdrukveer	Gas pressure spring
25	961.0107	Voorwand-zijstuk rechts	Front board side piece right
26	969.1145	Voorwand-zijstuk links	Front board side piece left
27	961.0273	Voorbord 2221 Rapide 205	Front board 2221 Rapide 205
	969.1386	Voorbord 2421 Rapide 240	Front board 2421 Rapide 240
28	968.0419	Bovenrand 22 Rapide 205	Top edge 22 Rapide 205
	961.0189	Bovenrand 24 Rapide 240	Top edge 24 Rapide 240
29	316.0702	Sluitring A13	Washer A13
30	301.0785	Bout M12×80	Bolt M12×80
31	961.0119	Grendelpen	Locking pin
34	330.0002	Borgveer	Locking spring

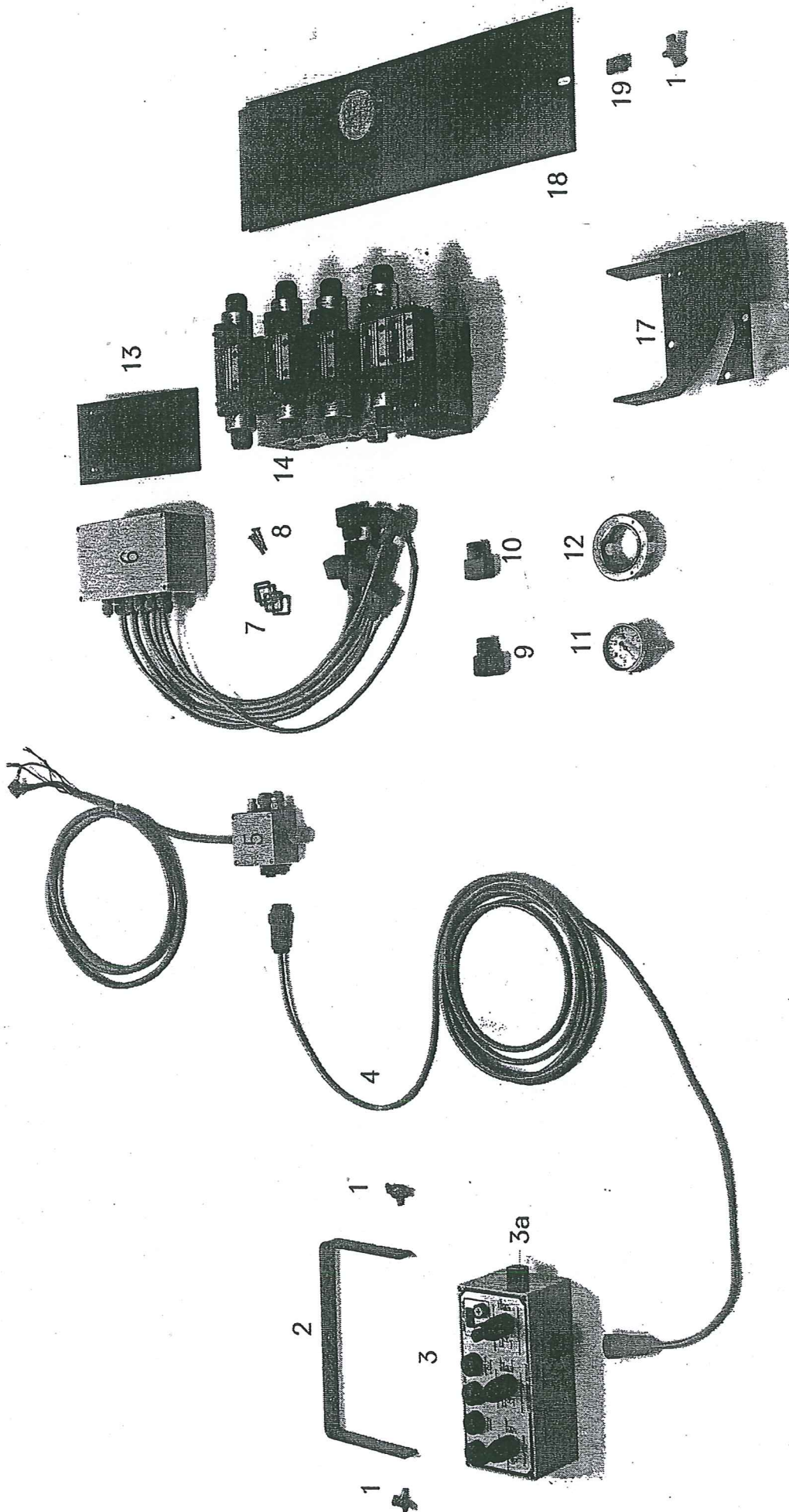


## 20. TAILGATE

### 20. ACHTERKLEP

Drawing no. 975.0002

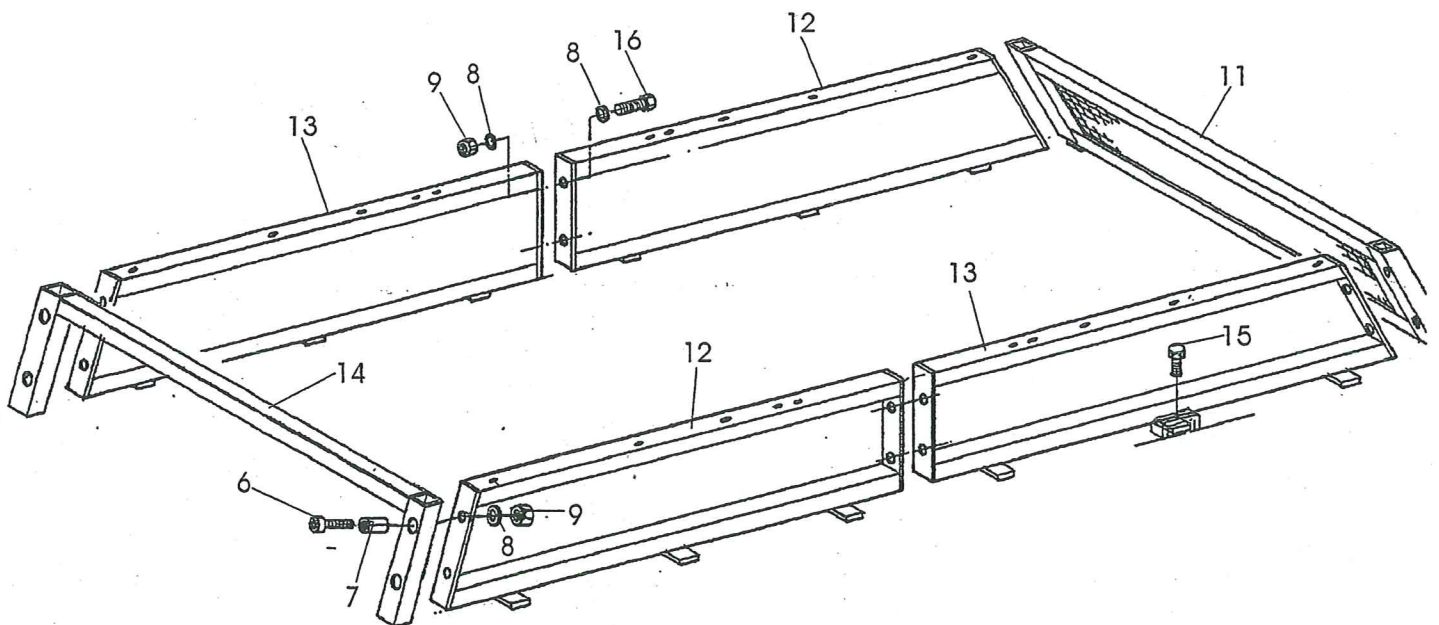
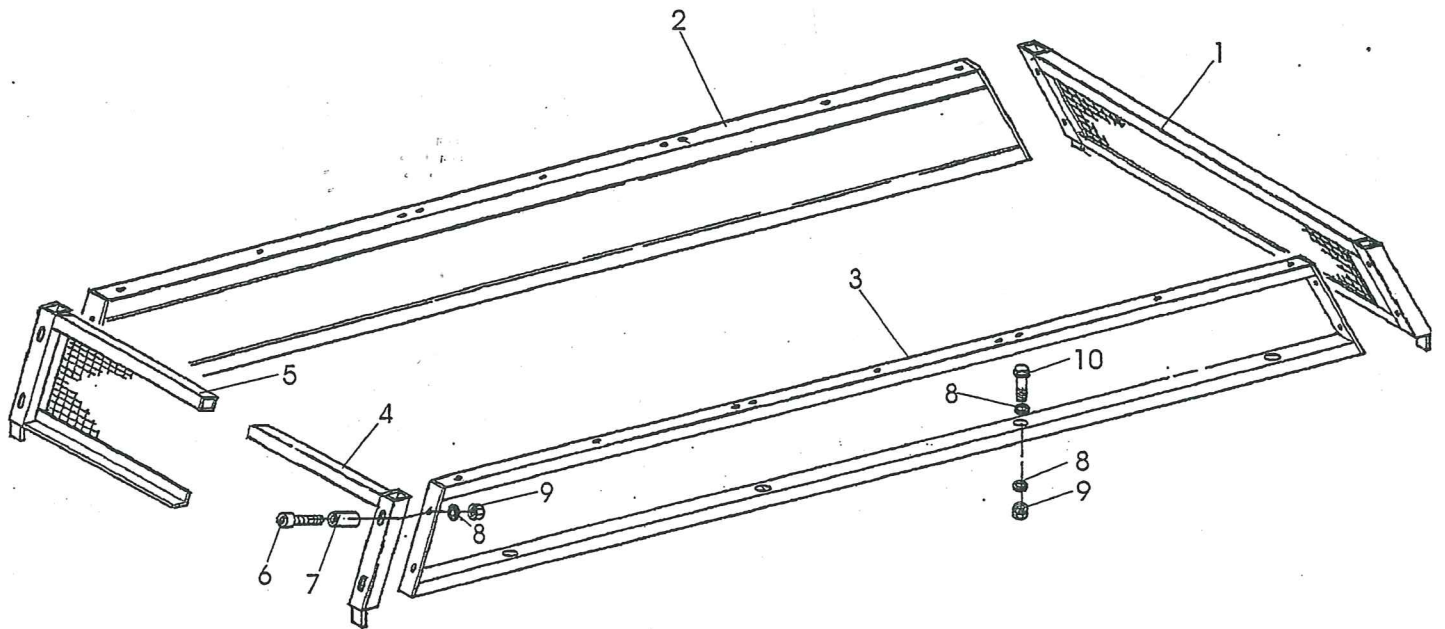
<i>Fig.</i>	<i>SR-no.</i>	<i>Omschrijving</i>	<i>Description</i>
1	951.0026	Achterklep Rapide 205	Tailgate Rapide 205
	951.0055	Achterklep Rapide 240	Tailgate Rapide 240
2	482.0201	Driehoek-reflector	Reflecting warning triangle
3	303.0937	Cilinderkopschroef M5×12	Cylinder head screw M5×12
4	316.0730	Sluitring A5,3	Washer A5,3
5	306.0335	Borgmoer M5	Locking nut M5
6	480.0026	Achterlamp links	Rear light left
7	480.0027	Achterlamp rechts	Rear light right
7a	482.0104	Glas voor achterlicht	Glass for rear light
8	355.3002	Hydr. cilinder D50/25 Faroil	Hydr. Cylinder D50/25 Faroil
8a	454.0813	Set afdichtingen t.b.v. 8	Set of seals for 8
9	925.0711	Lagerbusje L=27,5	Bearing bush L=27,5
9a	925.0775	Lagerbusje L=31,5	Bearing bush L=31,5
10	316.0707	Sluitring A17	Washer A17
11	301.0746	Bout M16×55	Bolt M16×55
11a	301.0761	Bout M16×60	Bolt M16×60
14	316.0707	Sluitring A17	Washer A17
15	306.0702	Moer M16	Nut M16
16	925.0922	Scharnierbusje L=101	Knuckle L=101
17	301.0738	Bout M16×150	Bolt M16×150
18	301.0785	Bout M12×80	Bolt M12×80
19	316.0701	Sluitring A13	Washer A13
20	306.0302	Borgmoer M12	Locking nut M12
21	951.0011	Zijbord links cpl.	Side board left complete
21a	969.1458	Zijbord links	Side board left
21b	969.0911	Zijstuk voor achterklep	Side pice for tailgate
22	951.0012	Zijbord rechts cpl.	Side board right complete
22a	969.1459	Zijbord rechts	Side board right
22b	969.0912	Zijstuk voor achterklep	Side pice for tailgate



## 21. HYDRAULIC/ELEKTRICAL OPERATION

### 21. HYDRAULISCHE/ELEKTRISCHE BEDIENING

<i>Fig.</i>	<i>SR-no.</i>	<i>Omschrijving</i>	<i>Description</i>
1	349.0063	Vleugelknop M8×20	Wing nut M8×20
2	912.0146	Bevestigingsbeugel	Mounting bracket
3	983.0543	Bedieningsunit (incl. 3a t/m f)	Pilot box (incl. 3a up to f)
3a	349.0067	Trillingsdemper	Vibration damper
3b	484.0133	Kontaktblok	Contact block
3c	484.0134	Schakelhandel-vast	Fixed switch lever
3d	484.0135	Schakelhandel-verend	Spring switch lever
3e	484.0132	Beschermerhoes	Protective cover
3f	484.0037	Signaallamp-rood	Warning light, red
3g	484.0136	Drukschakelaar-rood	Pressure swithc, red
3h	484.0137	Drukschakelaar-groen	Pressure switch, green
3i	484.0138	Impulsschakelaar "+"	Impuls switch "+"
3j	484.0139	Impulsschakelaar "-"	Impuls switch "-"
3k	484.0144	Chassisdeel met pen 4-polig	Surface-mounted connector 4P
4	484.0602	Verbindingskabel	Connection cable
4a	484.0142	Stekker met pen 4-polig	Straight cable connector 4P
	484.0143	Stekker met pen 4-polig	Straight cable socket 4P
5	484.0607	Voedingsunit	Supply unit
5a	484.0144	Chassisdeel met pen 4-polig	Surface-mounted connector 4P
6	484.0606	Stuurunit	Control unit
7	484.0121	Dichtring GDM 3-16	Sealing ring GDM 3-16
8	484.0122	Schroef M3×35	Screw M3×35
9	484.0059	Connector zwart (incl. 7 en 8)	Connector, black (incl. 7 and 8)
10	484.0060	Connector grijs (incl. 7 en 8)	Connector, grey (incl. 7 and 8)
11	355.0399	Manometer 0-250 bar (incl.12)	Manometer 0-250 Bar (incl.12)
13	961.0881	Montage-steunplaat	Mounting-support plate
14	355.0837	Hydraulisch manifold Bo/LS	Electro-hydraulic manifold Bo/LS
	355.4004	Hydraulisch manifold Bo/LS	Electro-hydraulic manifold Bo/LS
17	969.1146	Manifold-console	Manifold support
18	937.0841	Sluitplaat	Locking plate
19	306.0359	Plaatmoer M8 zelfborgend	Self-locking plate nut M8



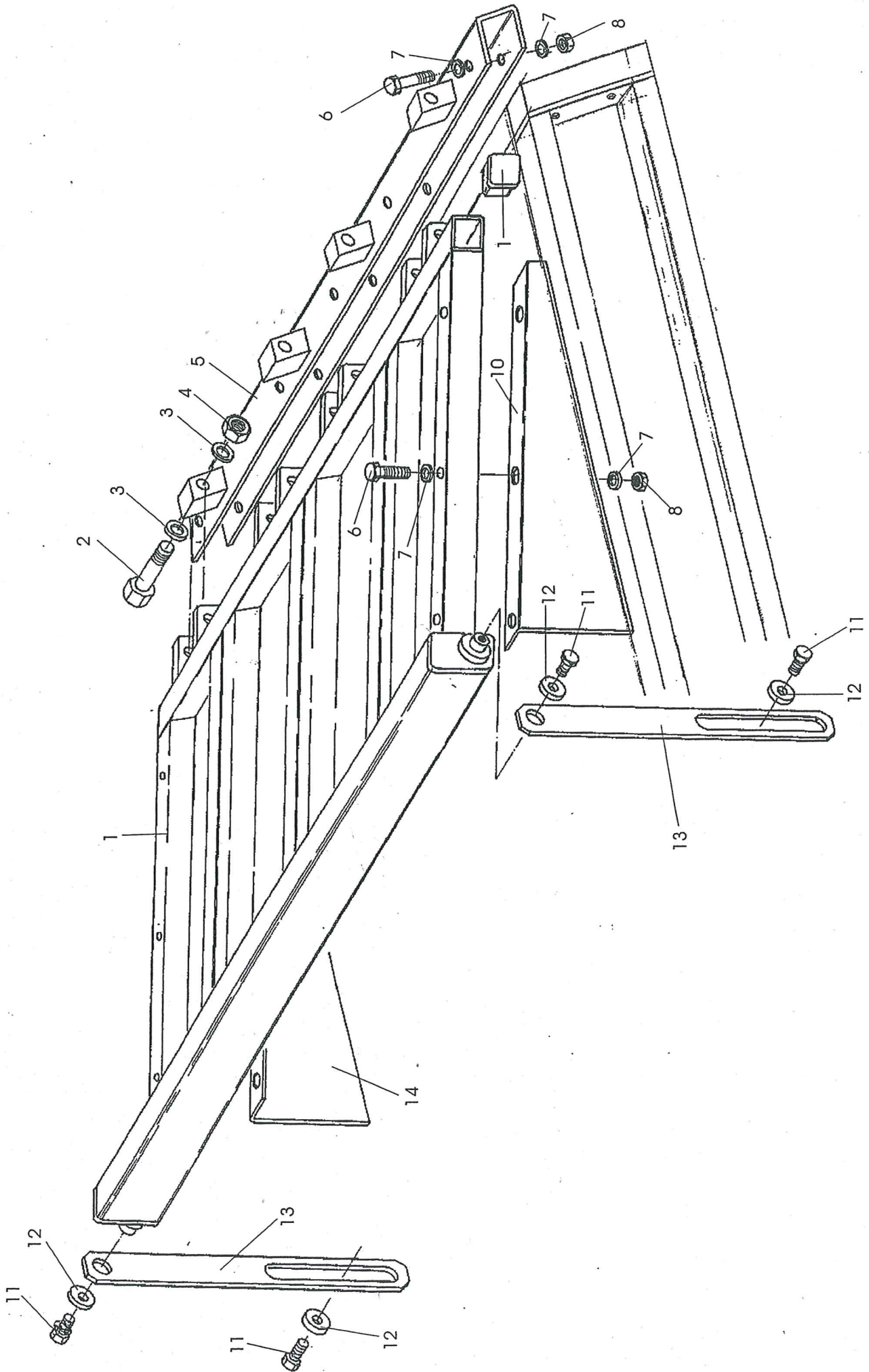
## 22. STEEL CONSTRUCTION AS WINDCOVER

### 22. STAALOPBOUW ALS WINDKAP

Drawing no. : 975.0034

<i>Fig.</i>	<i>SR-no.</i>	<i>Omschrijving</i>	<i>Description</i>
0	994.0632	Windkap Rapide 205	Wind cover steel Rapide 205
	994.0718	Windkap Rapide 240	Wind cover steel Rapide 240
6	302.0603	Cilinderkopbout M10x60	Cylinder head bolt M10x60
7	925.0393	Buisje L37	Bush L37
8	316.0705	Sluitring A10,5	Washer A10,5
9	306.0306	Borgmoer M10	Locking nut M10
11	967.0916	Voorstuk met gaas Rapide 205	Front part gauze Rapide 205
	969.1391	Voorstuk met gaas Rapide 240	Front part gauze Rapide 240
12	961.0577	Zijstuk-RH	Side pice-RH
13	961.0576	Zijstuk-LH	Side-pice-LH
14	961.0274	Achterbeugel Rapide 205	Rear bracket Rapide 205
	961.0311	Achterbeugel Rapide 240	Rear bracket Rapide 240
15	301.0805	Bout M10x25	Bolt M10x25
16	301.0811	Bout M10x30	Bolt M10x30





## 23. GUIDE BOARD ON WINDCOVER

### 23. GELEIDEBORD OP WINDKAP

Drawing no. : 975.0035

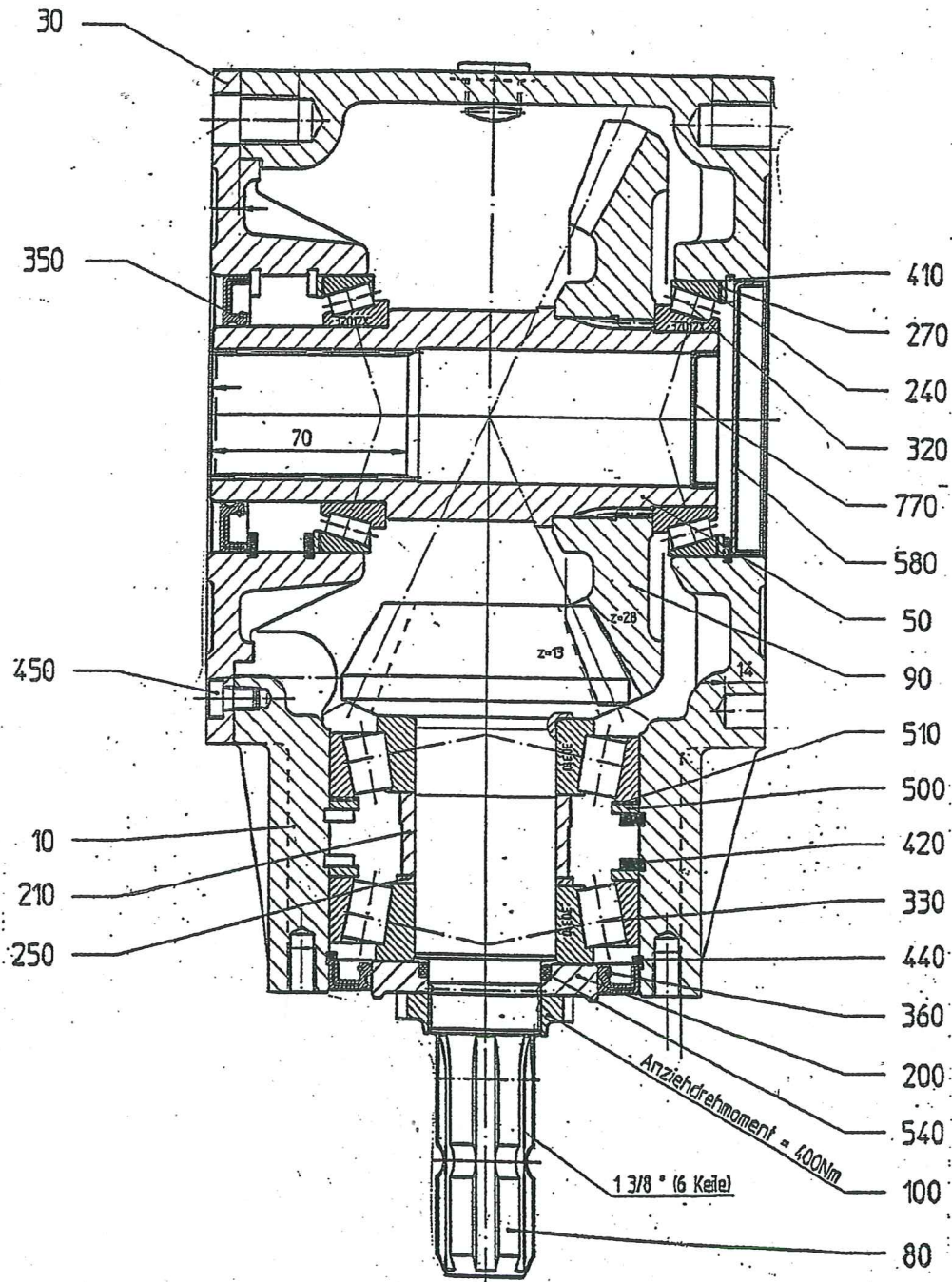
<i>Fig.</i>	<i>SR-no.</i>	<i>Omschrijving</i>	<i>Description</i>
0	994.0634	Geleidebord cpl. Rapide 205	Guide board cpl. Rapide 205
	994.0719	Geleidebord cpl. Rapide 240	Guide board cpl. Rapide 240
1	967.0919	Geleidebord Rapide 205	Guide board Rapide 205
	969.1393	Geleidebord Rapide 240	Guide board Rapide 240
2	304.0762	Bout M16x90	Bolt M16x90
3	316.0707	Sluitring A17	Washer A17
4	306.0303	Borgmoer M16	Locking nut M16
5	967.0917	Voorrand met scharnierblokjes Rapide 205	Front bracket Rapide 205
	969.1392	Voorrand met scharnierblokjes Rapide 240	Front bracket Rapide 240
6	304.0719	Bout M10x70	Bolt M10x70
7	316.0705	Sluitring A10,5	Washer A10,5
8	316.0306	Bogmoer M10	Locking nut M10
9	376.0124	Sluitdop	Closing stop
10	937.0261	Zijplaat re.	Side plate right
11	301.0809	Bout M10x20	Bolt M10x20
12	316.0742	Sluitring 50/11-8	Washer 50/11-8
13	913.0601	Trekstrip	Tension member
14	937.0260	Zijplaat li.	Side plate left



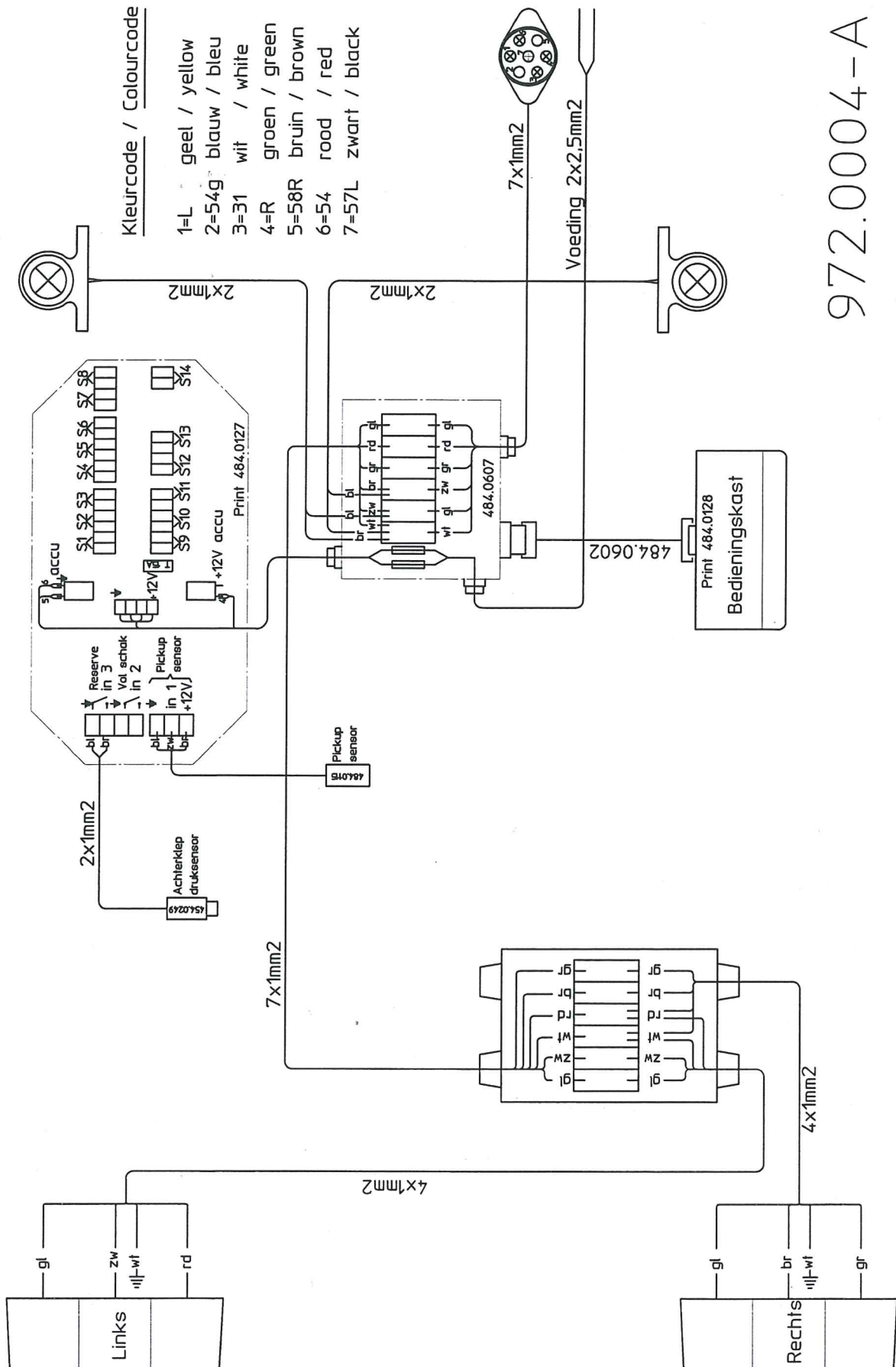
## 24. GEAR BOX WG-1000 13>28

24. TANDWIELKAST WG-1000 13>28

Article no. 351.066

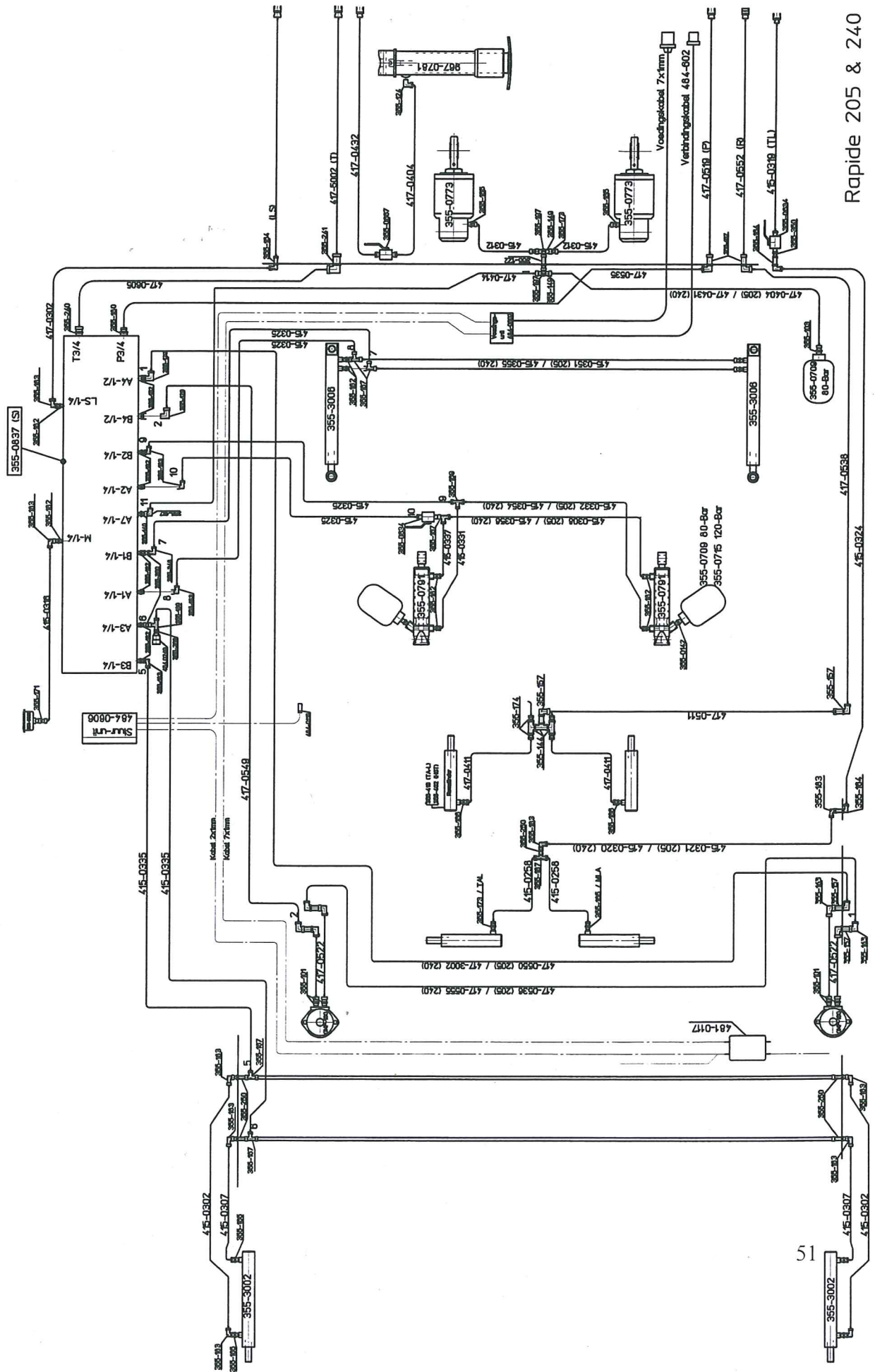


## 25. ELECTRICAL CIRCUIT DIAGRAM 972.0004



972.0004-A

# 26. HYDRAULIC SYSTEM



Rapide 205 & 240



